

Welcome to the world of Pixsee

2 Start Guide
32 使用指南





Thank you for purchasing Pixsee Play

Let Pixsee Play & Pixsee Friends be your trusted companion on the wonderful journey through parenthood.

Any questions? hello@pixseecare.com

Please retain your original receipt stating the date of purchase for any warranty or servicing purposes.

Please read this instruction manual carefully before using this product. Functions and features are subject to change without further notice.

Please visit the official Pixsee site for product updates and information: Pixseecare.com

Please read the safety warnings, installation guidelines and precautions on pages 3-4 before installing.

Download the
Pixsee App here



Content

3 Product Safety Instructions

5 Pixsee Play & Pixsee Friends Instruction Manual

6 Camera Specifications and Package Contents

7 Camera Appearance and Functions

8 Camera Button Behavior and Indicator Lights

10 Pixsee Friends Specifications

11 Pixsee Friends Appearance

13 Camera Installation, App Setup and Pixsee Friends Pairing

20 5-in-1 Camera Stand Installation

21 Package Contents

22 Free-Standing Installation

26 Wall Installation

27 Appendix

28 Warnings and Precautions

30 Friendly Reminders, Product Disposal and Recycling

30 Product Cleaning, Maintenance and Disclaimers

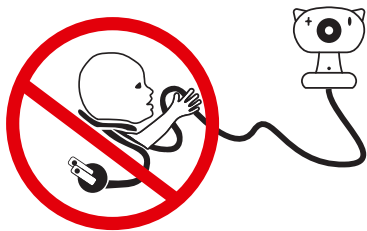
31 In-Warranty Repair and Customer Service

Important Safety Instructions and Warnings

Pixsee Play AI Smart Baby Camera

Hazard warnings: potential risk of strangulation

- Please be aware that children are at risk of strangulation and suffocation accidents caused by rope entanglement.
- Keep power cords away from children; maintain a distance of at least 3.5 feet (1m).
- Do not leave the Pixsee Play AI Smart Baby Camera within the baby cot or safety fence.
- Only use the original AC adapter provided with the product. Do not plug the adapter into a power socket that does not meet all safety requirements in your respective country.
- This AI smart baby camera is a monitoring aid and cannot replace the functions and responsibilities of supervision by an adult.
- Do not leave your infant unattended or alone at home. Infants need the constant care and attention of an adult.



Pixsee Friends

Warnings:

- Keep Pixsee Friends away from fire.
- To avoid danger of suffocation, an adult should disassemble the packaging and destroy the plastic bag immediately after disassembly. Keep plastic bags away from babies and children.
- Please remove all labels before children use the product.
- Only to be used under the supervision of an adult.

Pixsee 5-in-1 Camera Stand

Warning: Do not let your child come into contact with or shake the camera stand

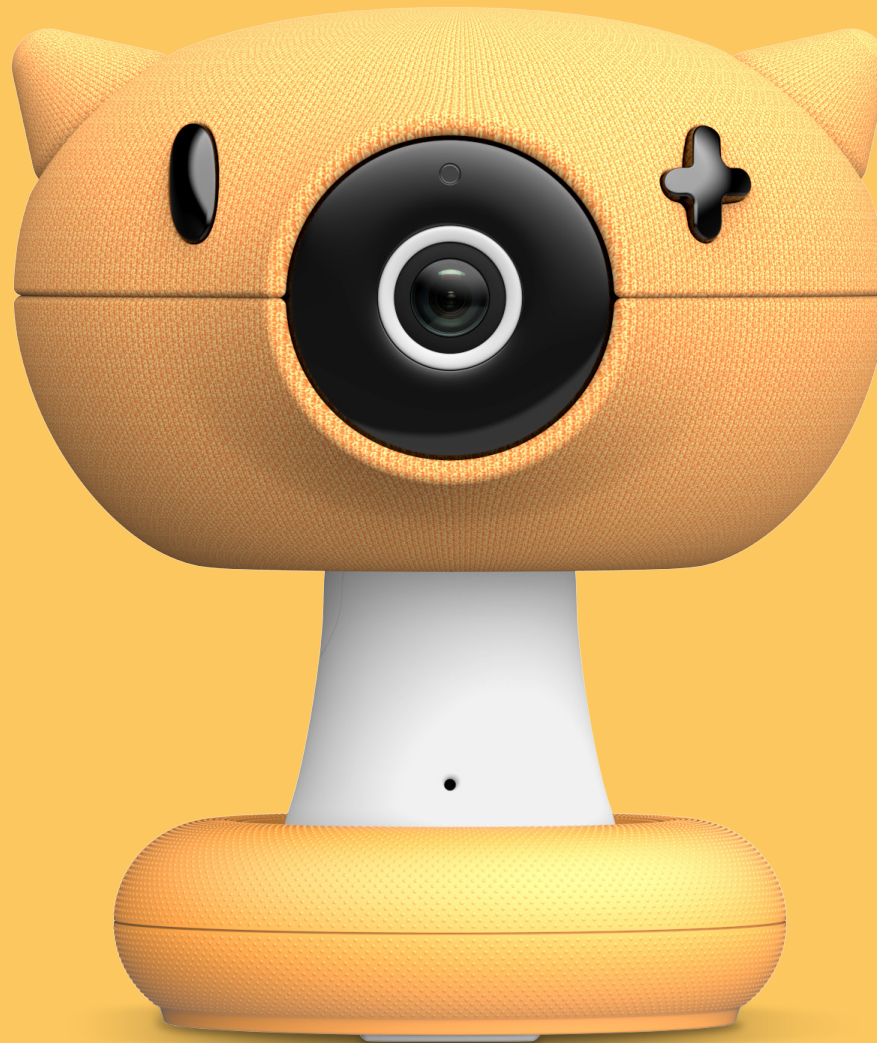
- It is strongly recommended to thoroughly review the instruction manual before proceeding with installation.
- Pay close attention to the safety of where the camera stand is being used in, and do not allow young children to touch it or play near it or with it. When not in use, it should be properly packed and stored in a safe place, out of children's reach, to effectively prevent accidents such as clamping, crushing or jamming.
- The patented 5-in-1 Pixsee Camera Stand is an optional accessory sold separately.



Installation

- Please use the Pixsee Play AI Smart Baby Camera with a mobile device. A device-to-device wireless connection is required for it to function properly. The wireless range will be affected by environmental factors.
- Any large objects containing metal (e.g. refrigerators, mirrors, blades, cabinets, metal doors or reinforced concrete) will affect the quality of wireless radio communications.
- Other solid objects, such as wall structures or other electronics that transmit wireless signals (e.g. televisions, calculators, wireless phones, fluorescent lamps, or dimmer switches), will potentially degrade the signal strength of this product.
- Using other products that utilize 2.4 GHz wireless frequency, such as Wi-Fi® routers, Bluetooth™ systems, or microwaves, will potentially affect the wireless signal strength of this product. Therefore, it is recommended that you keep this product at least 1.5 meters away from the aforementioned products. If the aforementioned products are causing interference, please switch them off prior to using your device.
- In the event of poor wireless signal, please move your device to an alternative location.

pixsee
play

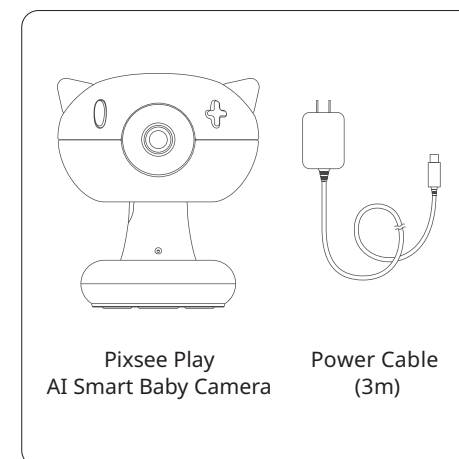


Instruction
Manual

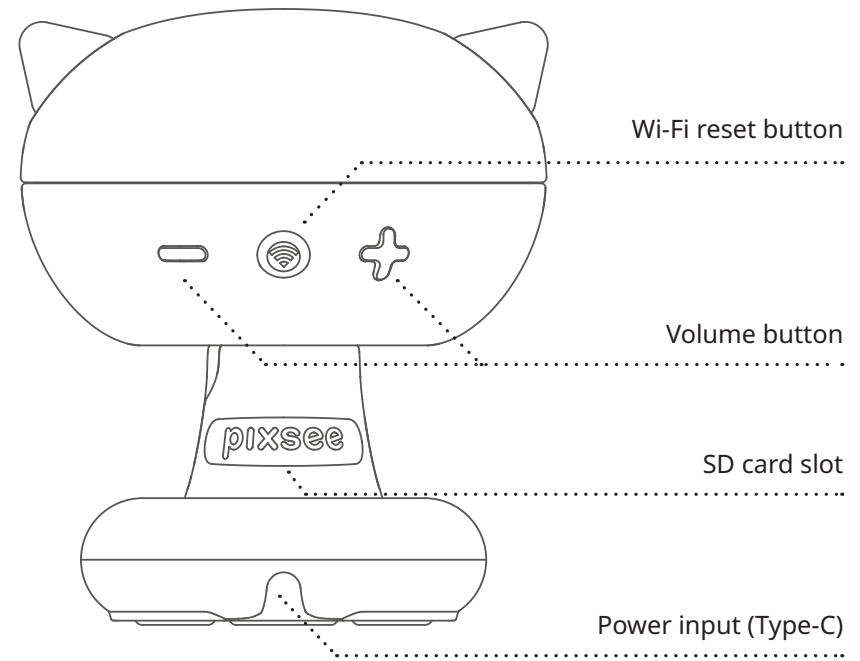
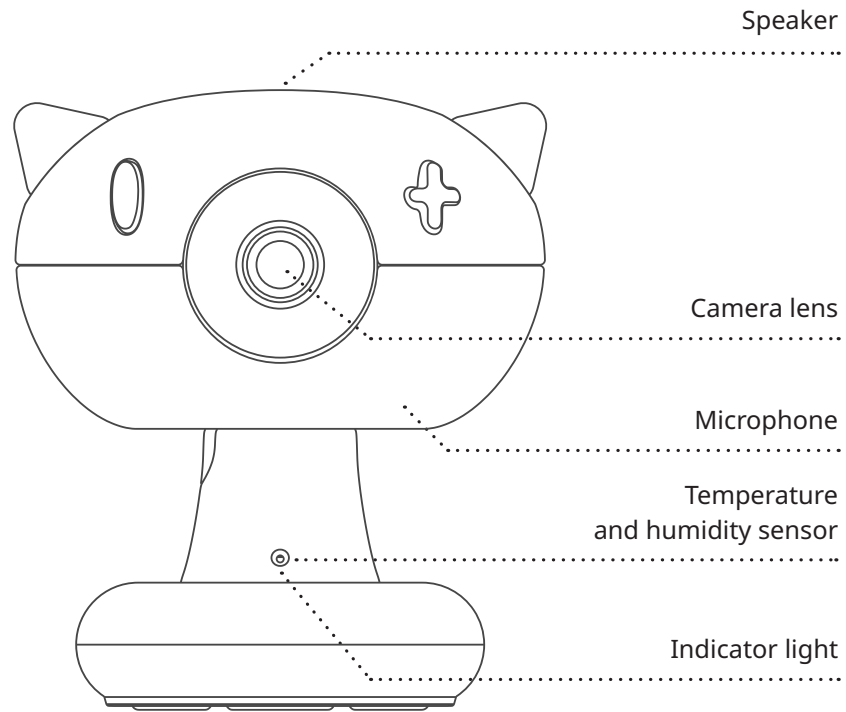
Pixsee Play Specifications

Dimensions	116 x 112 x 131mm
Weight	322 g
Camera	1080p FHD video, 5 MP 6-layer optical glass lens, ultrawide lens module, anti-reflective and anti-glare coating
Night vision	High quantum efficiency night vision CMOS sensor, no red-light emitting LED night vision filter (3 meters distance range, wavelength 940 nm), ambient light sensor
Speaker and microphone	3W Built-in speaker and high sensitivity microphone
Temperature and humidity sensor	Detection range: Temperature: 0 °C – 60 °C (32 °F – 140 °F) / Humidity: 10 % – 90 %
Security	Built-in secure cryptoprocessor with AES-128 bank-level encryption
AC power adaptor - output	DC 5V == 3 A
AC power adaptor - input	100 – 240V AC
Accessories	Power cable (3m) 5-in-1 Pixsee Camera Stand, Wall Mount (<i>optional, sold separately</i>) Pixsee Friends (<i>optional, sold separately</i>)
Network requirements	Frequency: 802.11a/b/g/n/ac, 2.4GHz or 5GHz, WPA/WPA2-PSK(AES) encryption support, with a minimum of 5Mbps upload speed for best experience. Note: Mobile hotspot not recommended
Mobile device system requirements	iOS 13.0 or above, Android 10.0 or above

This Package Contains




Pixsee Play Appearance and Functions




Device Button Behavior

Reset Wi-Fi:

Press Wi-Fi reset button  for 10 sec

Volume up:

Press volume up button  briefly



Volume down:

Press volume down button  briefly



Mute:

Press volume down button  for 2 sec

Factory reset:

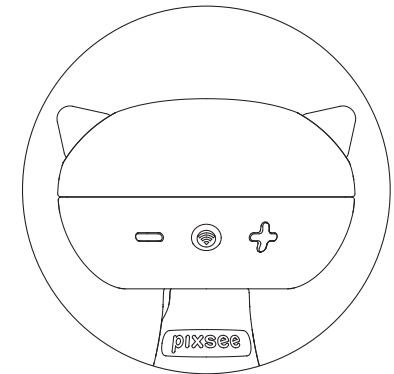
Press volume up button  and volume down button  simultaneously for 10 sec until the white LED light blinks

Reboot:

Press Wi-Fi reset button  and volume up button  simultaneously for 3 sec

Sleep mode:

Press Wi-Fi reset button  briefly



Indicator light

● Solid white:

Device is booting up/ photo capture in progress

◐ Blinking white:

Ready to pair/ countdown timer

◑ Blinking green:

Connecting to Wi-Fi

● Solid green

Stable connection

◐ Blinking blue:

Wi-Fi setup mode

◑ Alternating blue/green:

Poor connection or signal

● Solid purple:

Mute mode

● Solid red:

Sleep mode
(Camera/mic/speaker off)

◐ Blinking red:

Firmware update in progress

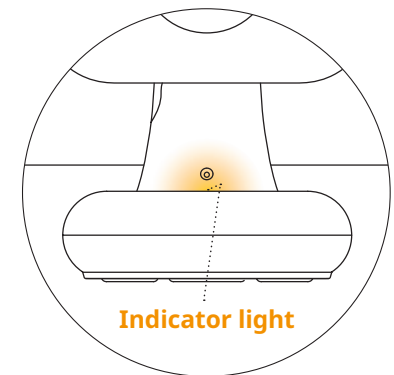
◑ Blinking orange:

Trigger word/ voice command/
Pixsee Friends – detected and
buffering

● Solid orange:

Listening in progress

For the latest information regarding the indicator light, please enter “indicator light” in the search bar on our official website: [Pixseecare.com/us/support](https://pixseecare.com/us/support).



pixsee
friends

Instruction Manual



Pixsee Friends Specifications

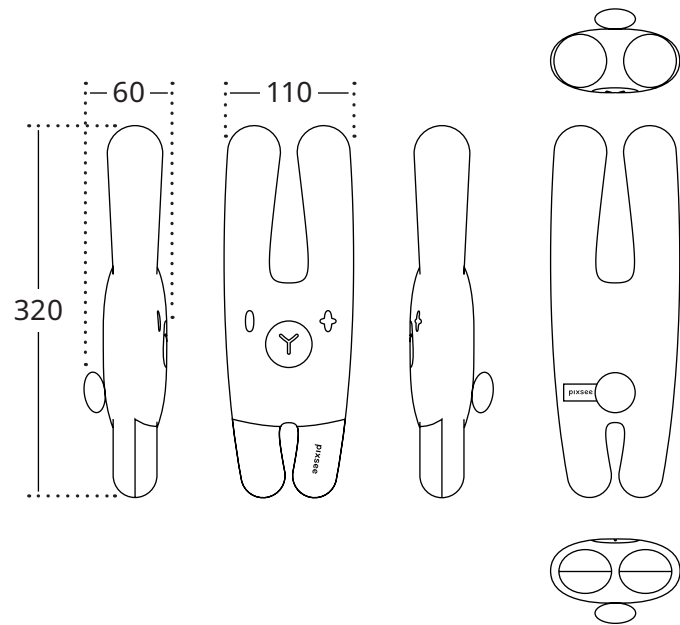
Bunee	Model	ST-PIXD01
	Age	0+
	Dimensions	320 x 110 x 60 mm
	Main fabric	100% Polyester & 100% Linen
	Contents	Polyester
Trunkee	Model	ST-PIXD02
	Age	0+
	Dimensions	140 x 350 x 80 mm
	Main fabric	100% Polyester & 100% Linen
	Contents	Polyester
Monkee	Model	ST-PIXD03
	Age	0+
	Dimensions	260 x 210 x 60 mm
	Main fabric	100% Polyester
	Contents	Polyester

Dragee	Model	ST-PIXD04
	Age	0+
	Dimensions	245 x 270 x 75mm
	Main fabric	100% Polyester
	Contents	Polyester
Unicoree	Model	ST-PIXD05
	Age	0+
	Dimensions	245 x 314 x 75 mm
	Main fabric	100% Polyester
	Contents	Polyester
Owlee	Model	ST-PIXD06
	Age	0+
	Dimensions	170 x 242 x 68 mm
	Main fabric	100% Polyester
	Contents	Polyester

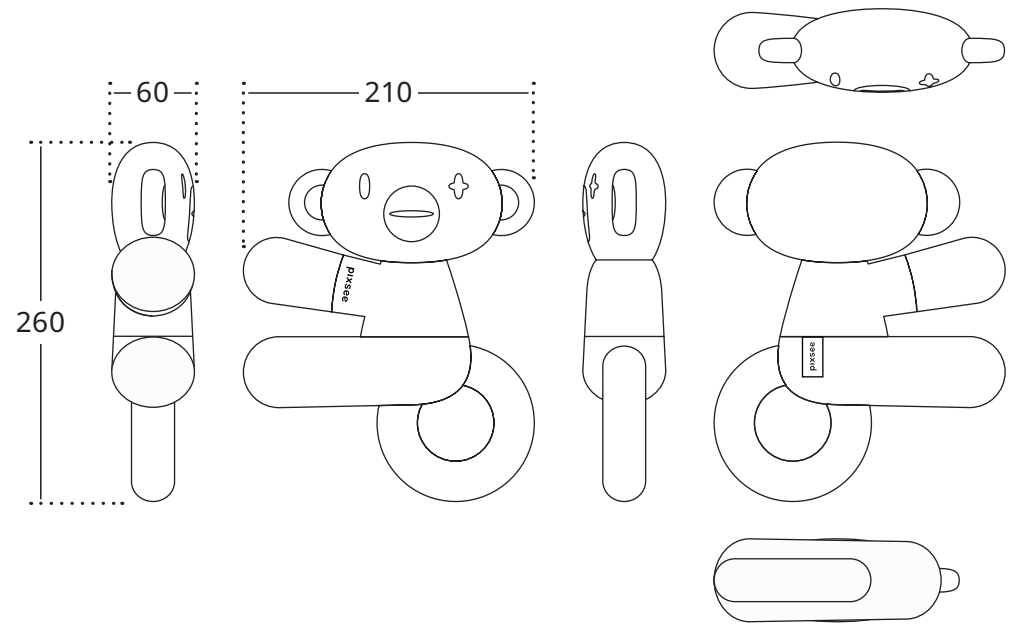
Samples of Pixsee Friends have been tested by Intertek against ASTM F963, CPSC and EN71 and found to be compliant with the safety and hazardous chemicals requirements set forth for the US and EU markets.

Pixsee Friends Appearance

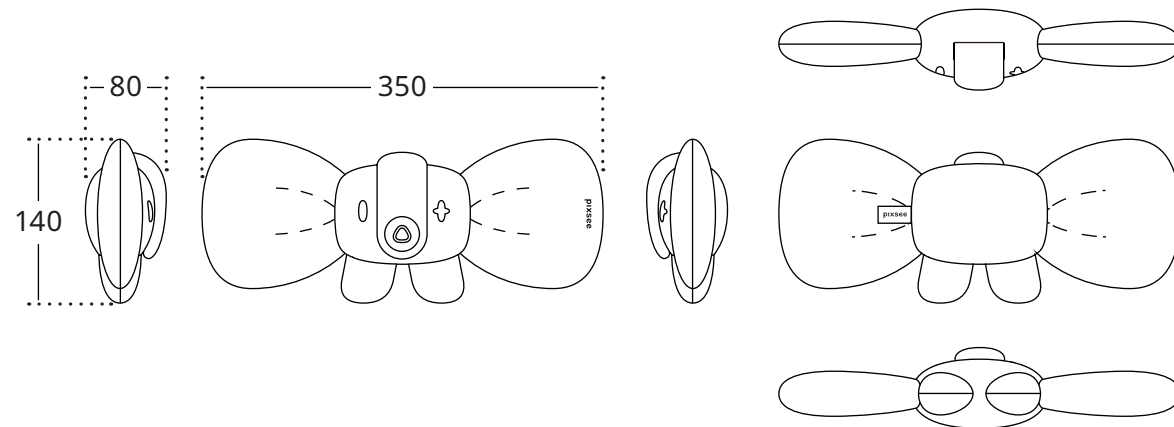
Bunee



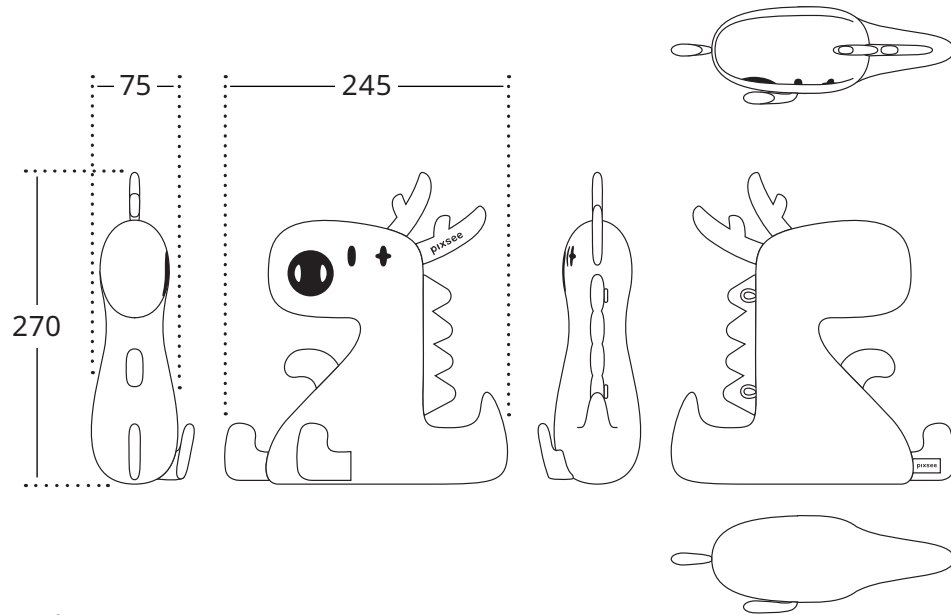
Monkee



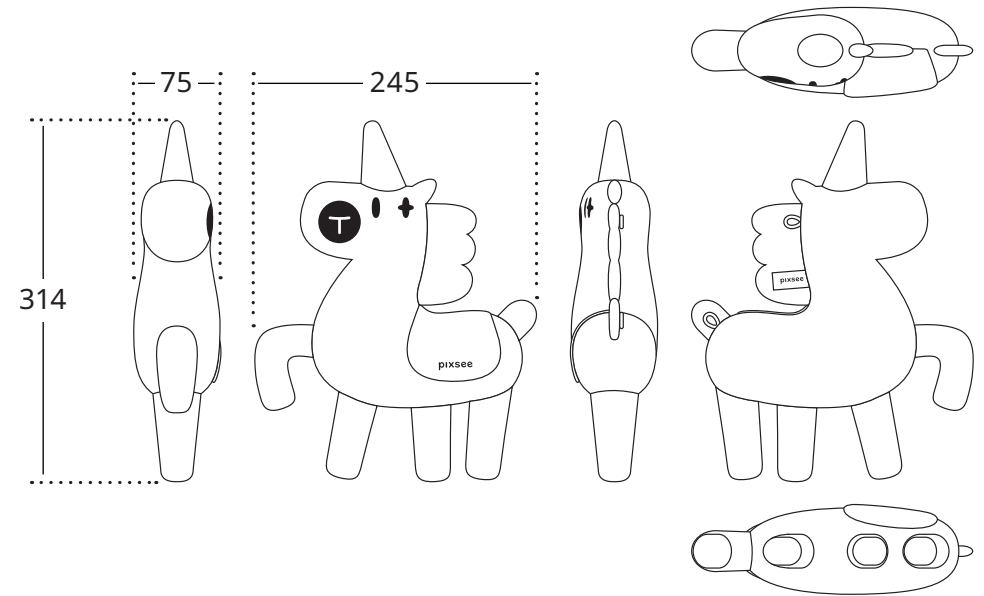
Trunkee



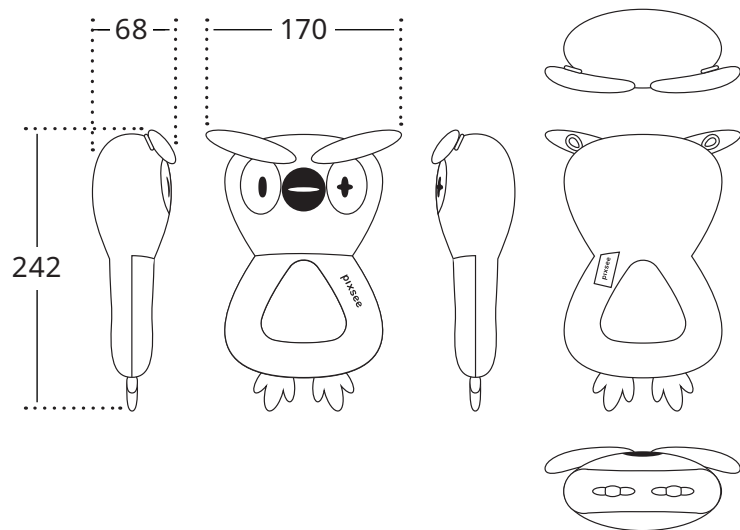
Dragee



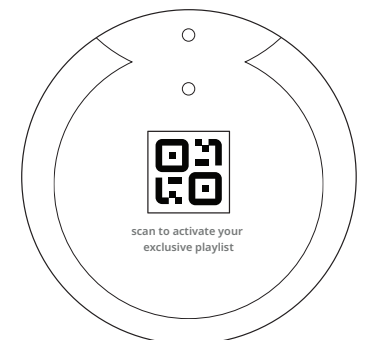
Unicoree



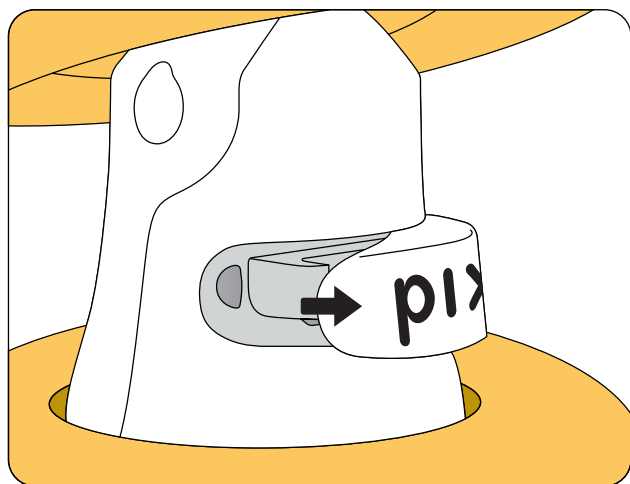
Owlee



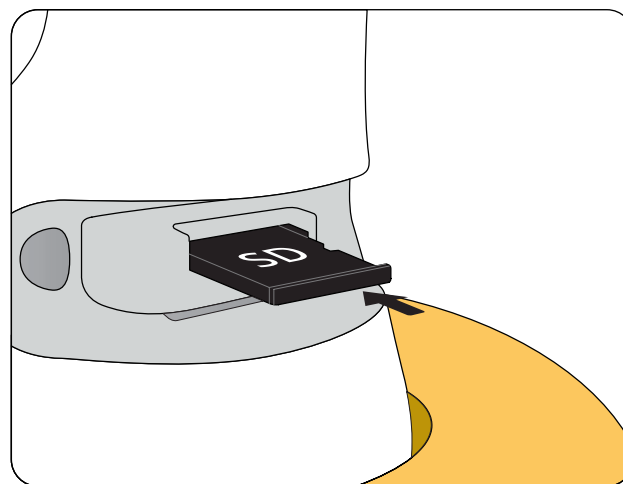
The QR Code on the tag label is important information during the pairing process, please keep it properly for future reference.



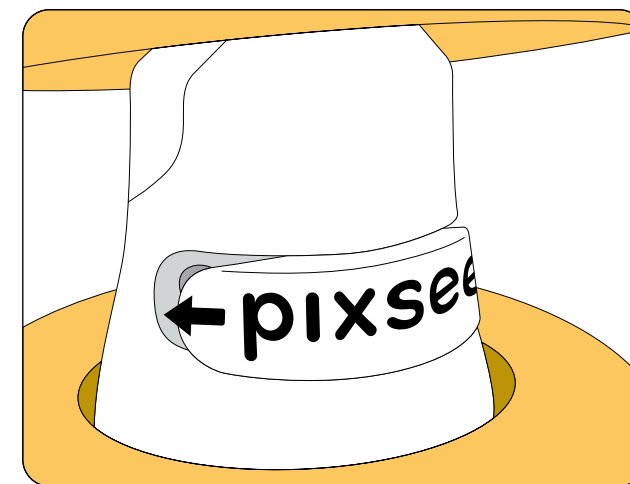
Camera Installation and Internet Connection How to Insert or Replace the SD Card



1. Remove the rubber cover.



2. Insert/replace the SD card.

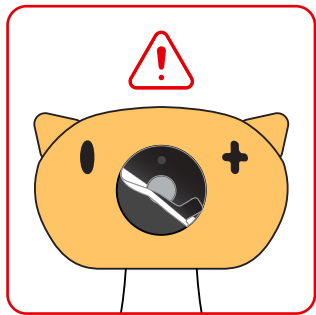


3. Push the rubber cover back.

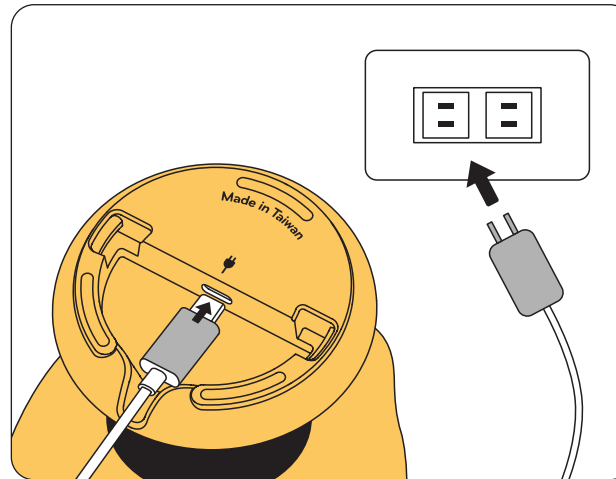
Camera Installation

Place your Pixsee Play AI Smart Baby Camera on a horizontal surface such as a bookshelf or a desk.

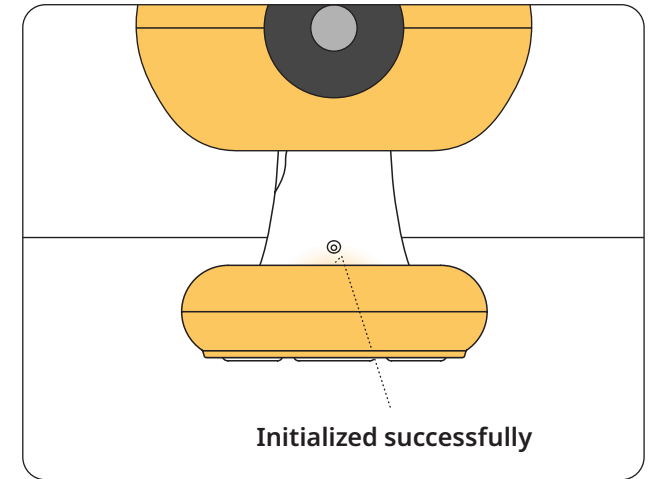
For Wi-Fi router specification support, please enter “Wi-Fi router support specification” in the search bar on our official website: Pixseecare.com/us/support.



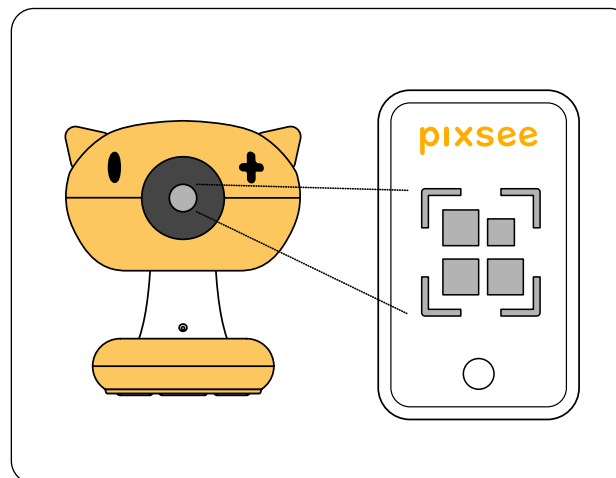
Please remove the black protective film of the lens first.



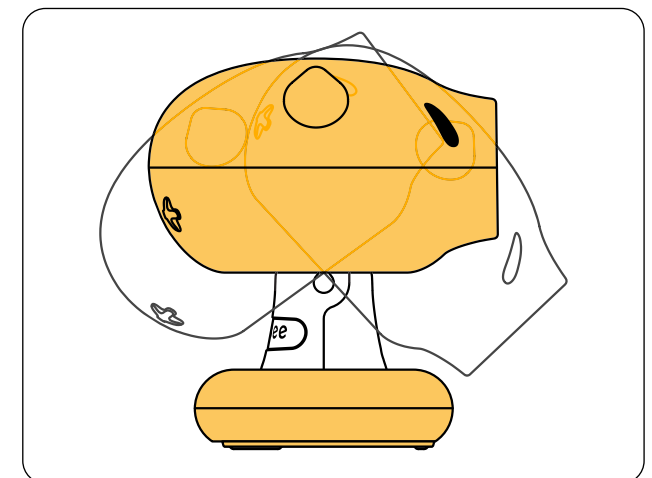
1. Connect your Pixsee device to a power source.



2. Confirm that the camera is turned on and the indicator light blinks white.



3. Download the Pixsee App, then follow the instructions to complete the pairing process.



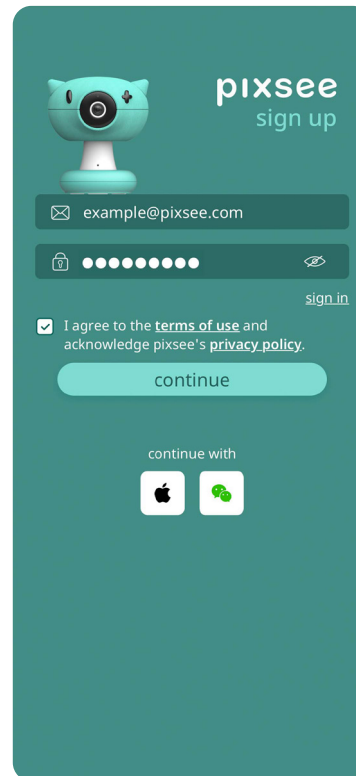
4. Adjust the camera angle and the setup is complete.

Camera Pairing and App Setup

To ensure a stable connection and smooth usage with your Pixsee Play device, before you start setup of your Pixsee Play device and App, please ensure your Internet connectivity meets the following requirements:

- 1. Your Wi-Fi is turned on and functioning properly.** Note: If you have multiple Wi-Fi access points (AP), please choose the desired AP to connect to first.
- 2. Turn on the Wi-Fi on your mobile device. Make sure you are connected to the desired AP you have previously chosen.**

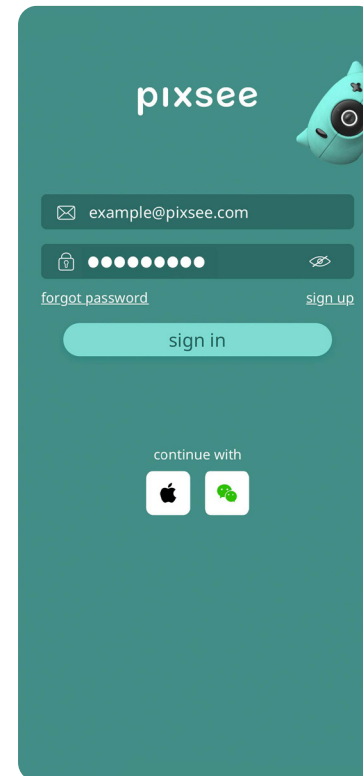
1. Register / Sign-in



1.1. Register an account

Enter your email address and password, then click **continue** to complete your registration process.

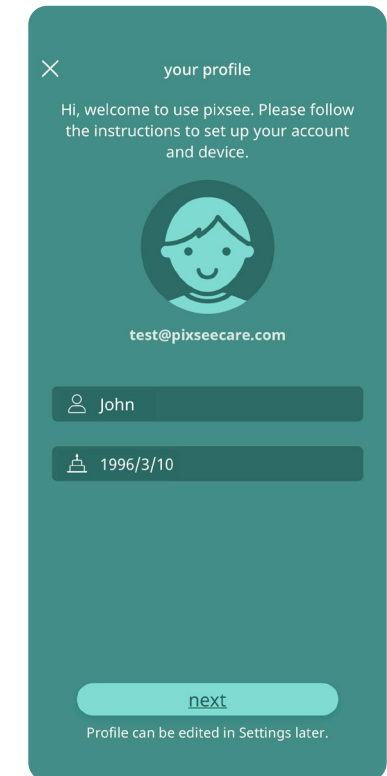
Once you're done, proceed to 1-2. You can also sign up with your Apple ID or WeChat ID.



1.2. Sign in to your account

Go to the App's home page, then use your email and password or Apple ID/ WeChat ID to sign in and start using the App.

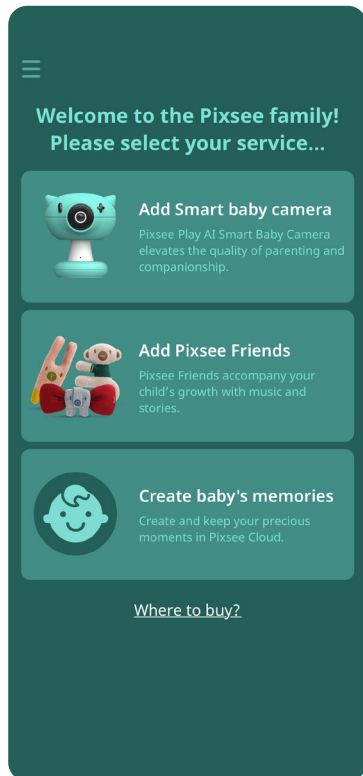
2. Register membership



2.1. Create a user account

Enter your name and date of birth, then click **next** to continue.

3. Register device



3.1. Add camera

Please tap

Add Smart baby camera

to continue.



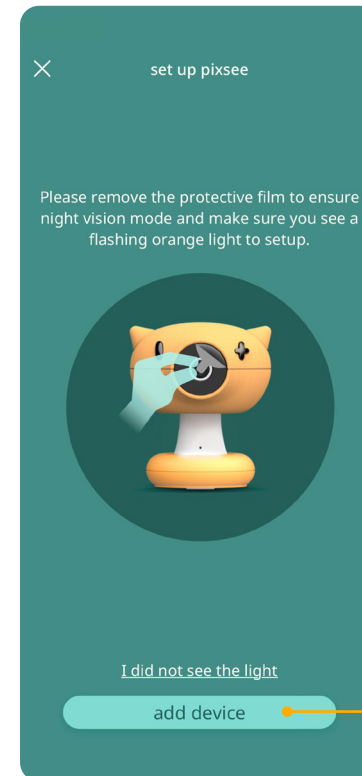
3.2. Fill in your baby's information

Enter your baby's name and relevant information, then click **next** to continue.



3.3. Select your device

Please select your model of Pixsee device.



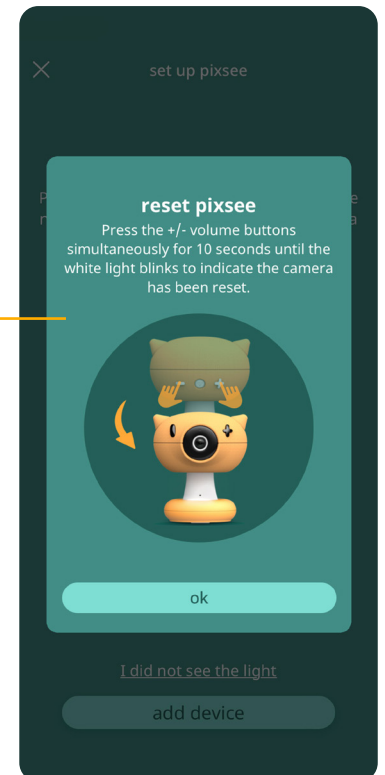
3.4. Confirm indicator lights

First confirm that the camera shows a blinking white indicator light, then tap

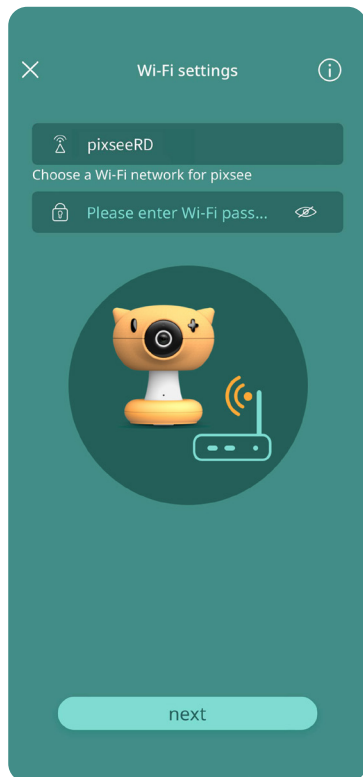
add device

no light signal

If you do not see a blinking orange light on your Pixsee device, please tap **I did not see it** on your App to reset.

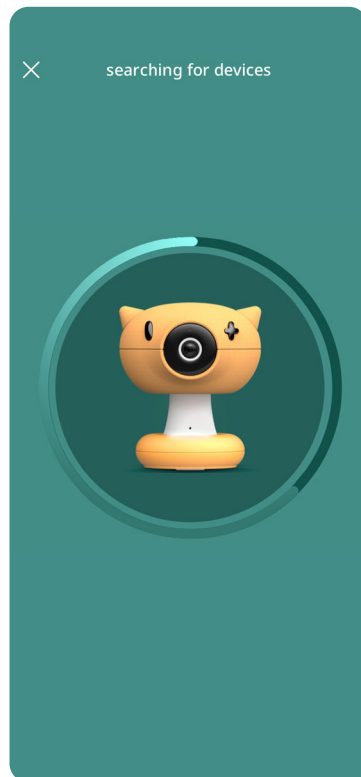


4. Internet connection and Bluetooth device pairing (Pixsee Play)



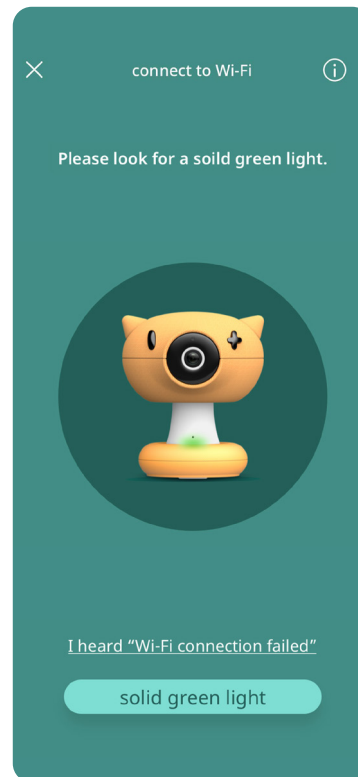
4.1. Wi-Fi settings

Your Pixsee Play device will display the default Wi-Fi connection you've previously chosen. Please confirm the Wi-Fi connection you wish to connect to and enter the password. Tap **next** to continue with the setup process.



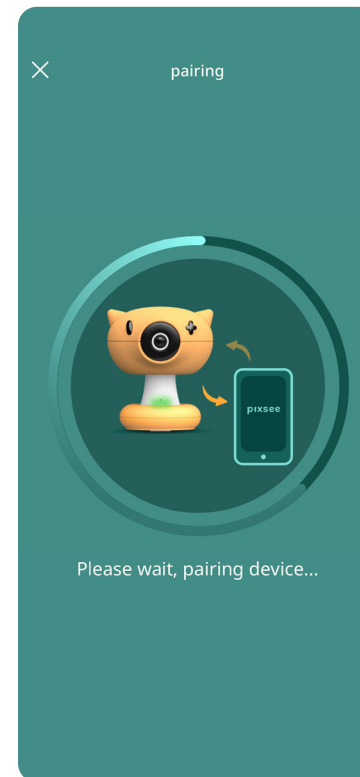
4.2. Bluetooth pairing

Pixsee Play will automatically pair and connect the device via Bluetooth.



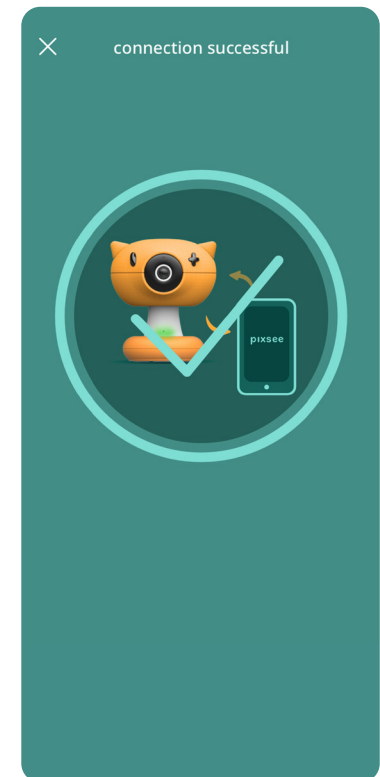
4.3. Connect to Wi-Fi

Once you see and have confirmed a solid green indicator light, tap the corresponding button on your App to continue the setup process.



4.4. Pairing

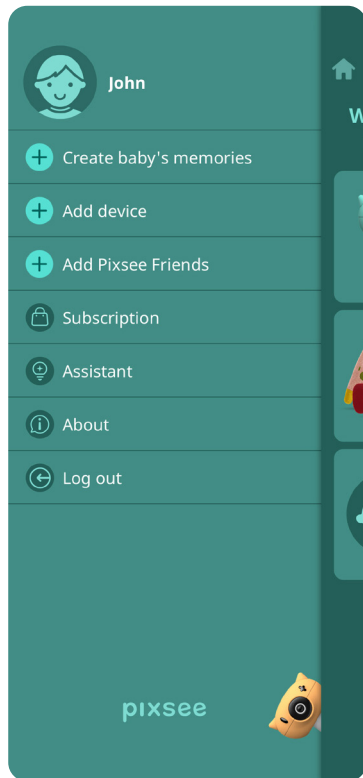
Please wait 1-2 minutes for the pairing process to be completed.



4.5. Complete pairing settings

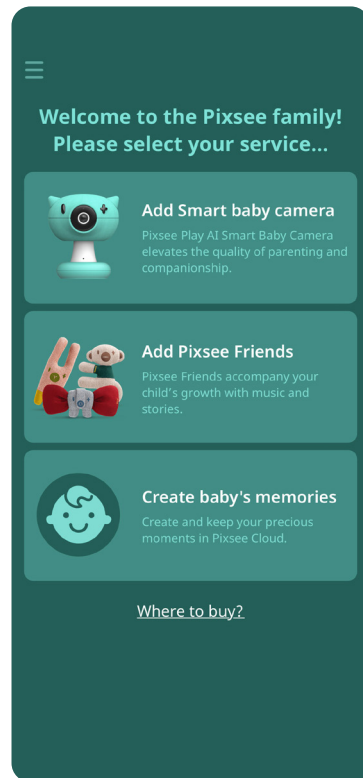
When the display shows a live feed from your baby camera, this means setup has been completed. Enjoy a wonderful parenting journey with the help of your Pixsee Play AI Smart Baby Camera!

5. Pixsee pairing : Play with Pixsee Play AI Smart Baby Camera



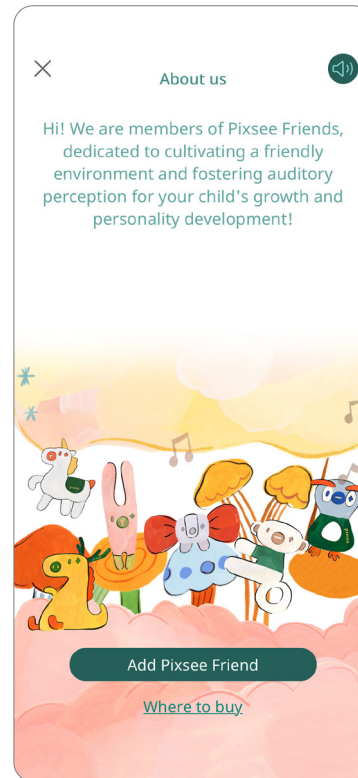
5.1. Add Pixsee Friend

Find **+ Add Pixsee Friends** from side menu.



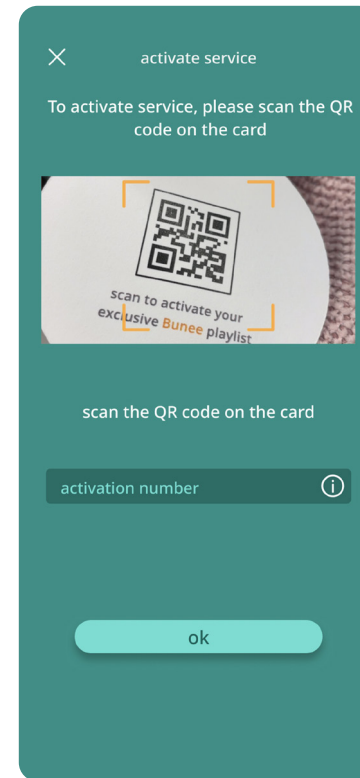
5.2. Add Pixsee Friend

Tab **+ Add Pixsee Friends** to continue setting.



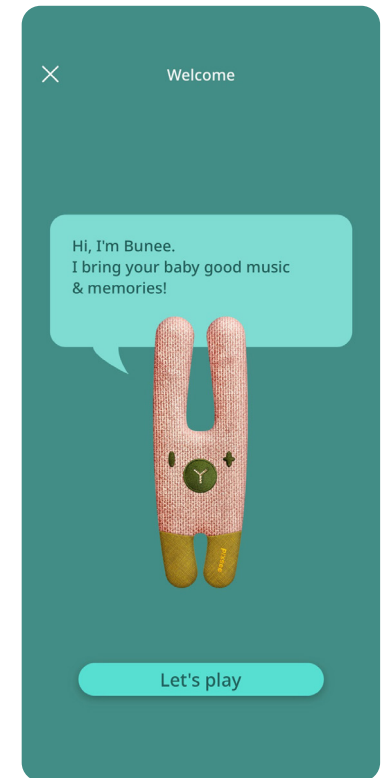
5.3. About us

Tab **+ Add Pixsee Friends** and follow the instruction.



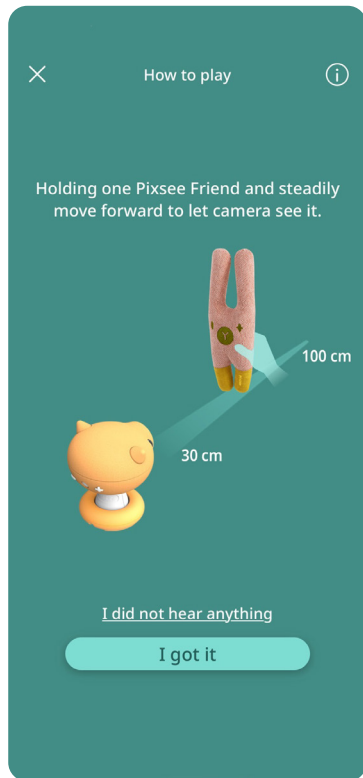
5.4. Scan QR code

Scan the QR code provided with each Pixsee Friend to get the exclusive serial number for bindingpairing. Then tap **ok** to finish setting.



5.5. Pairing successful

Congratulations! Now you can play with Pixsee Friends.



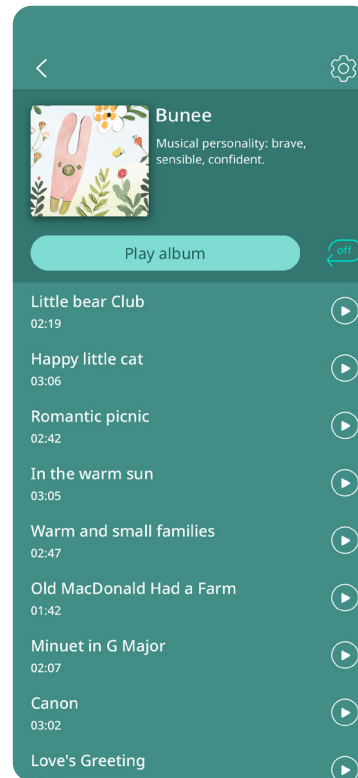
5.6. How to play

Detect your Pixsee Friend on Pixsee Play and enjoy a personalized playlist!



5.7. Add other Pixsee Friend

If you have more than one Pixsee Friends, you can tap **+** on the page to add a new Pixsee Friend.



5.8. Exclusive content

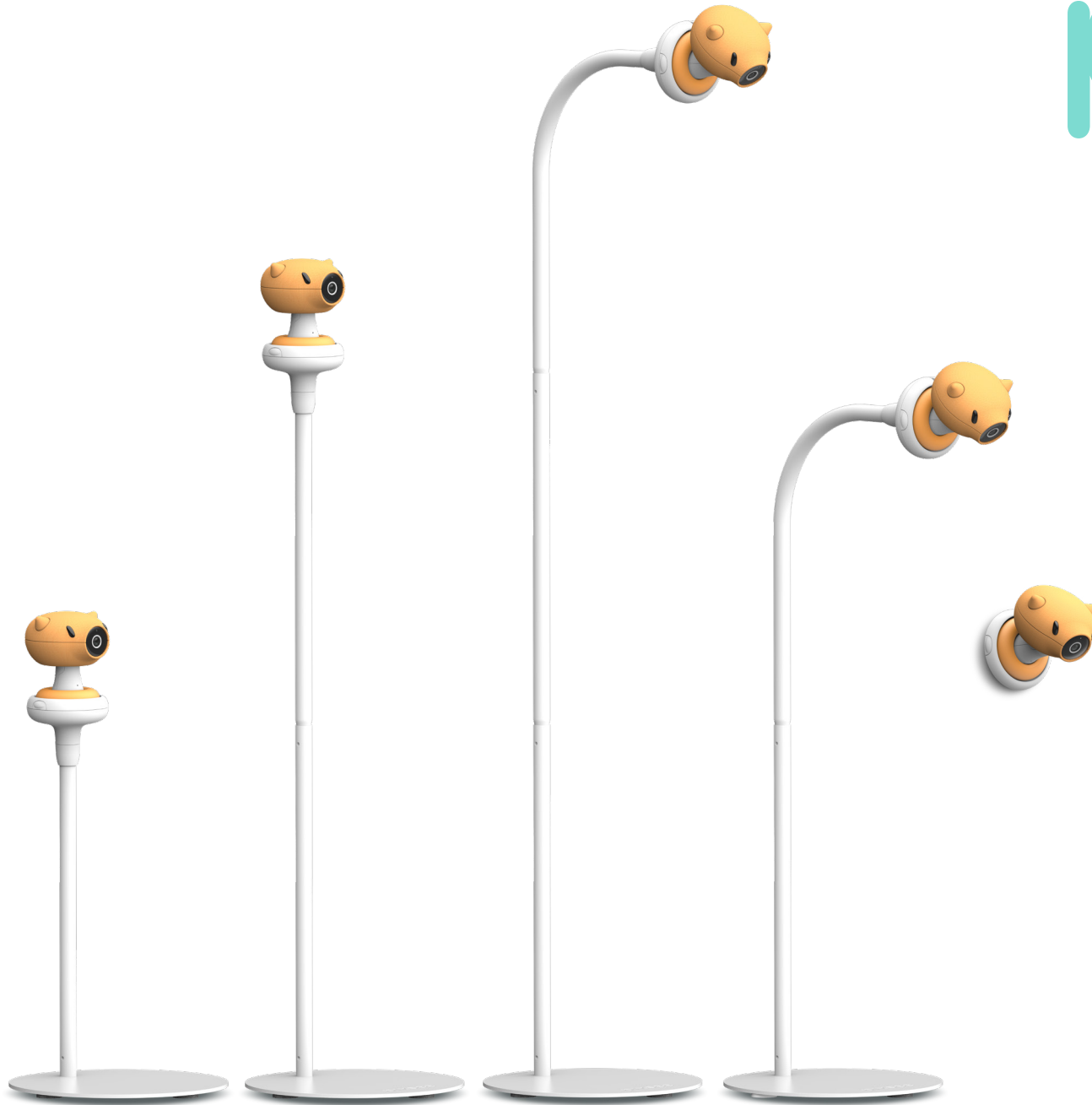
Also, every Pixsee Friend has its exclusive content. Tap any Pixsee Friend icon to its exclusive content page to listen.



Enjoy a wonderful parenting journey with the help of your Pixsee Play AI Smart Baby Camera

pixsee

5-in-1 camera stand

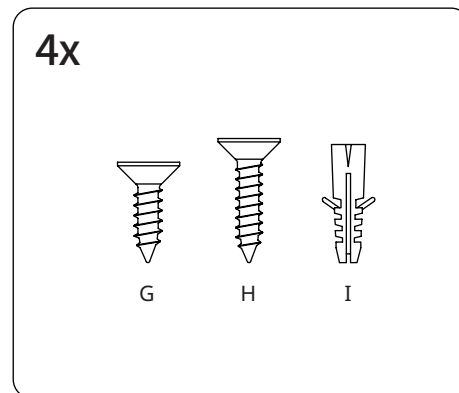
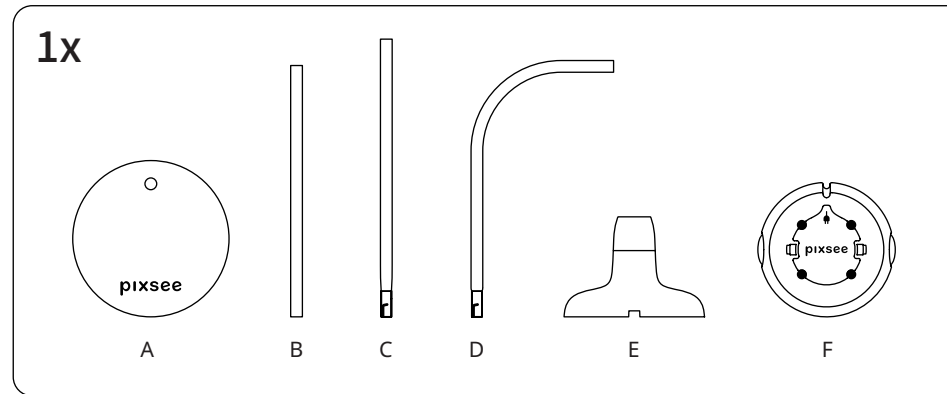


Instruction
manual

This Package Contains

If you already own a Pixsee Play AI Smart Baby Camera, please complete the camera's setup process first. Position your camera in the most fitting location and angle, then proceed with the camera stand installation.

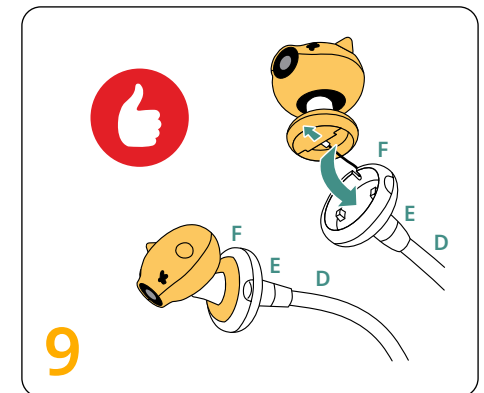
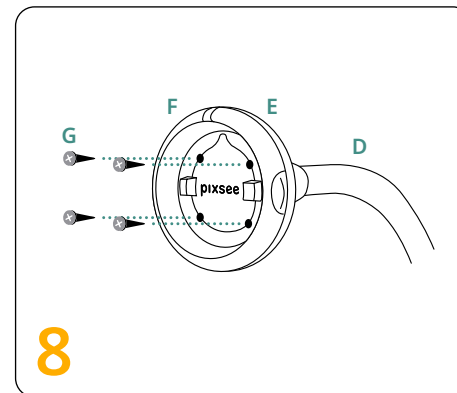
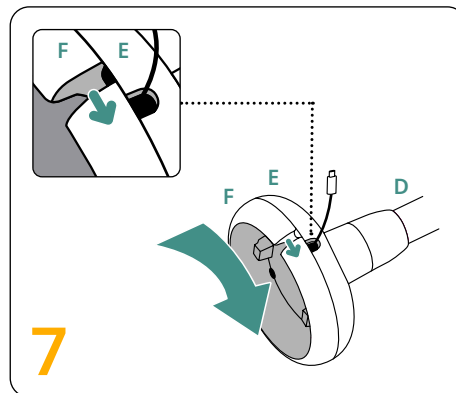
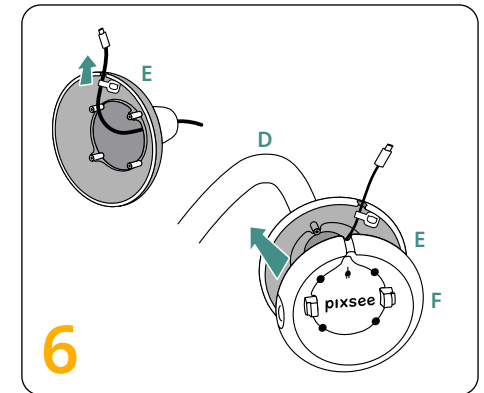
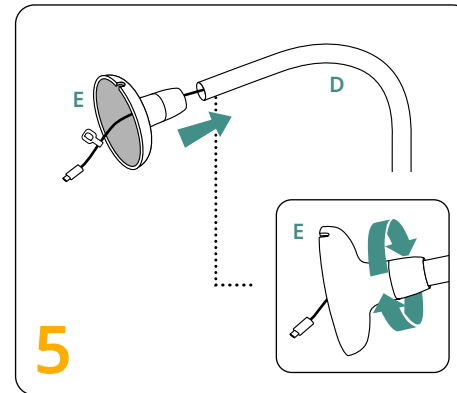
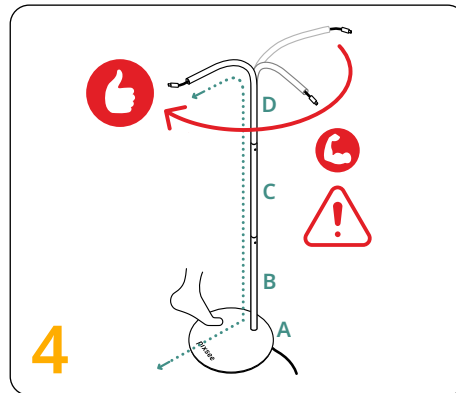
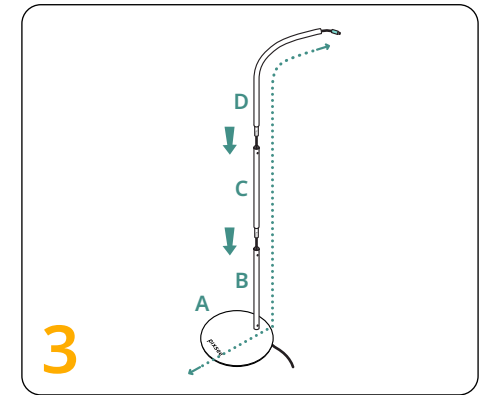
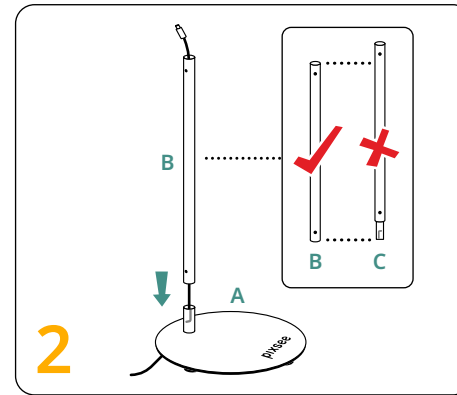
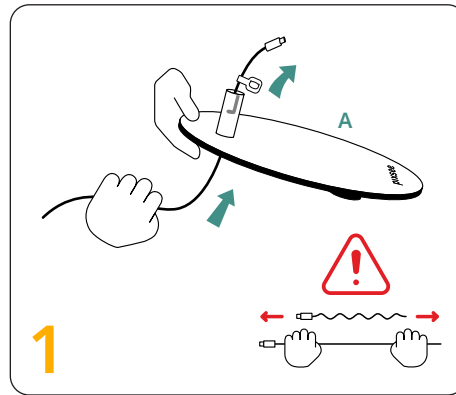
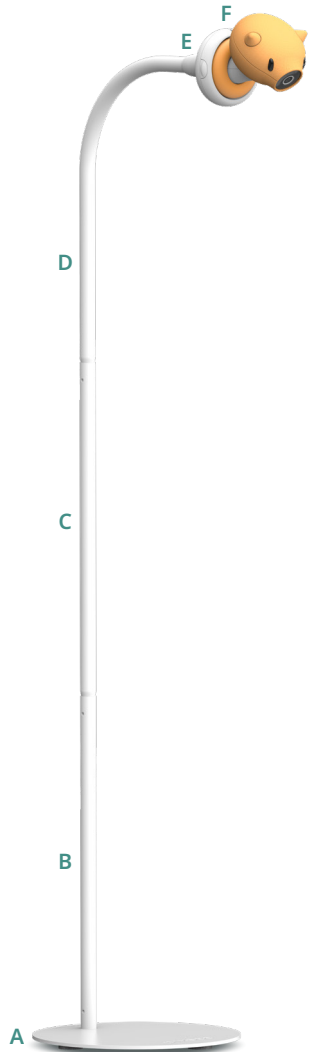
Please ensure that the power cable of the camera is correctly installed within the metal tube of the bracket to avoid the risk of tripping or entanglement while using the camera.



Free-Standing Installation

High Overhead View

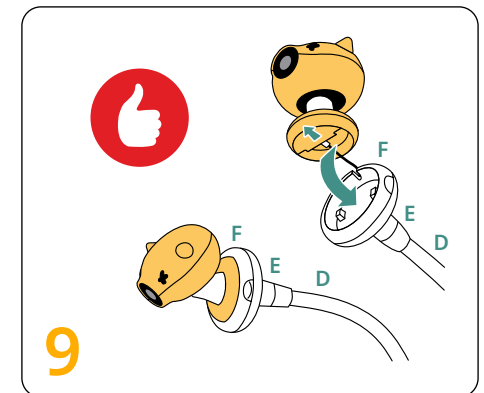
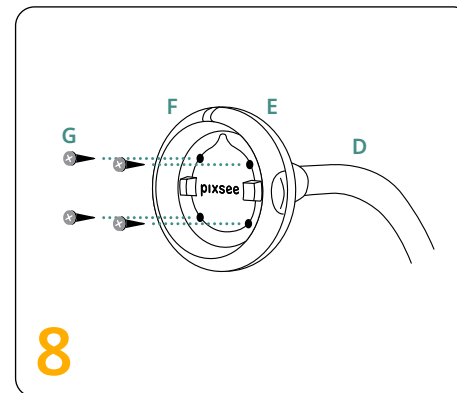
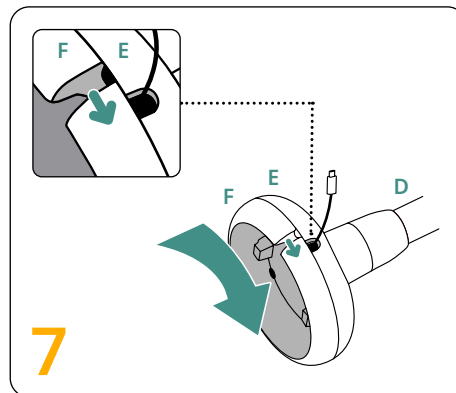
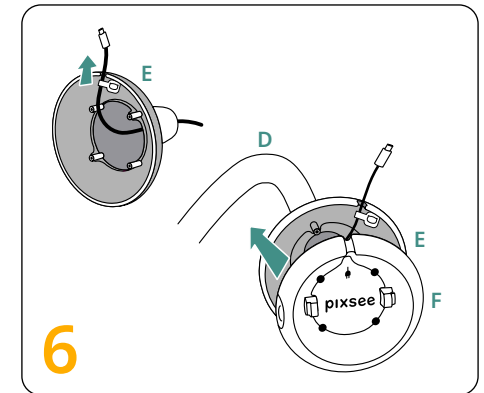
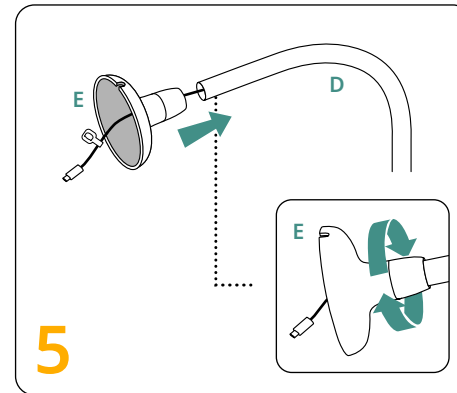
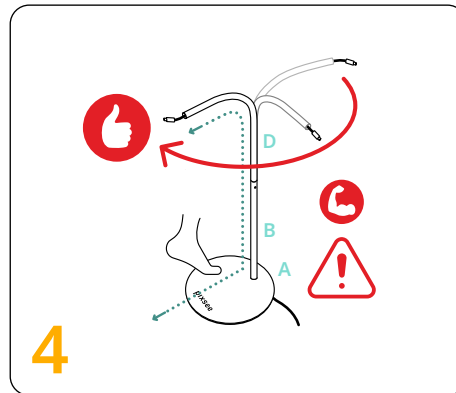
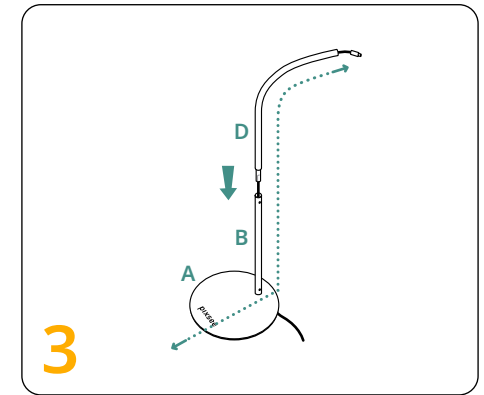
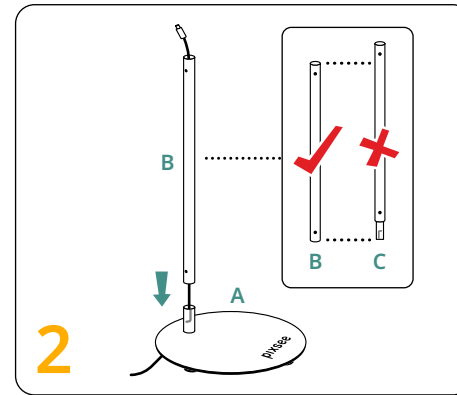
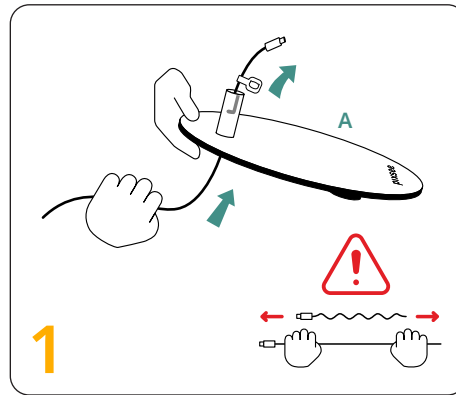
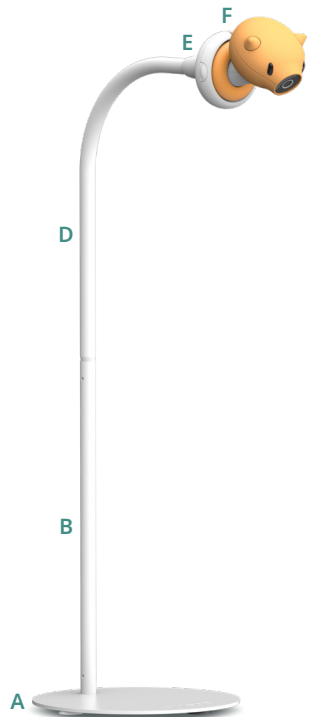
Suitable for a full view over the crib.



Free-Standing Installation

Low Overhead View

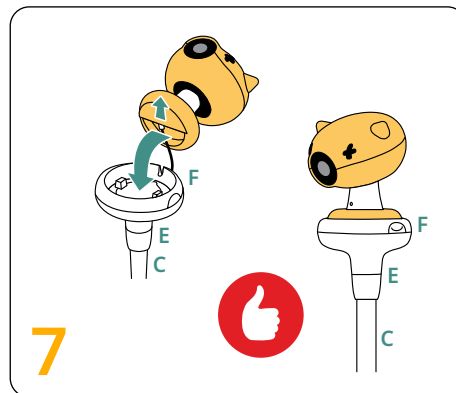
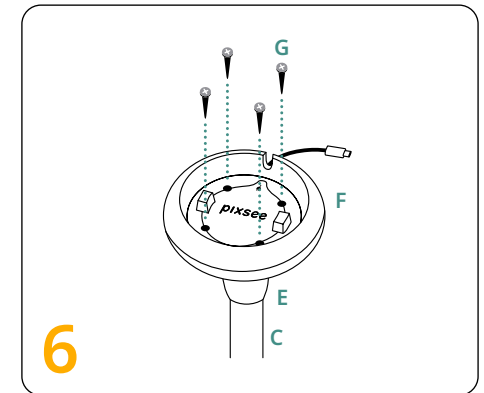
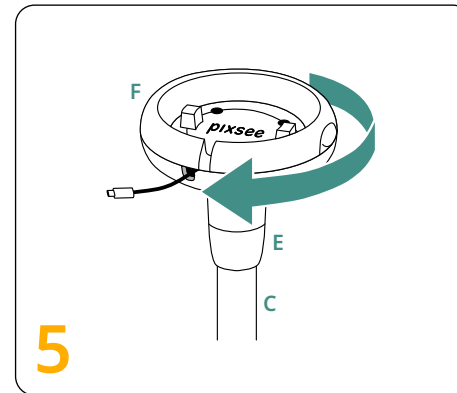
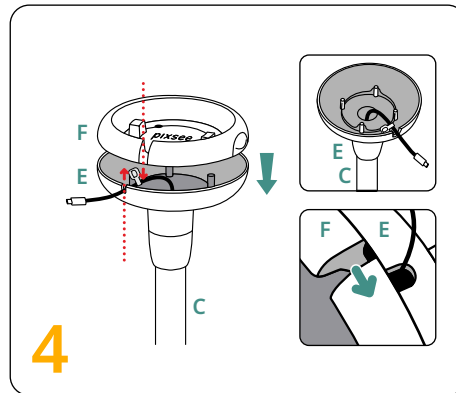
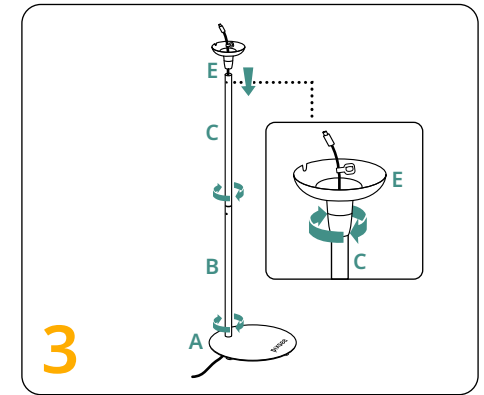
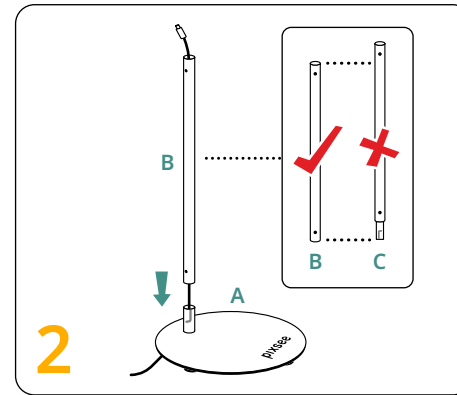
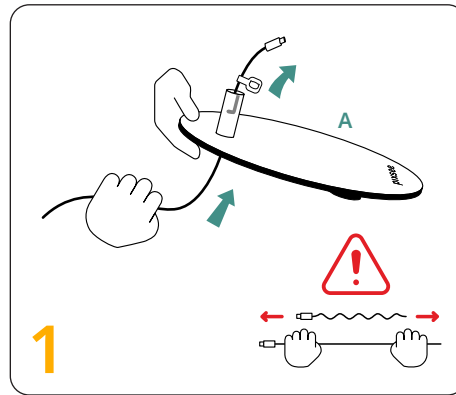
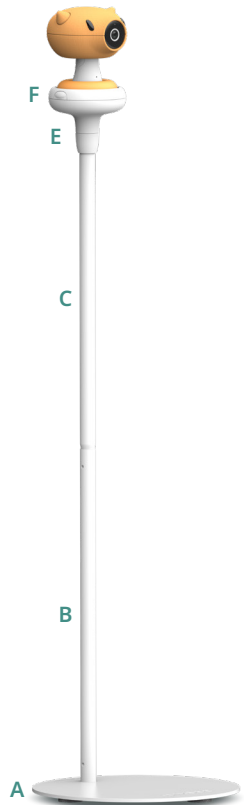
Suitable for floor seats and baby boosters



Free-Standing Installation

Eye-Level View

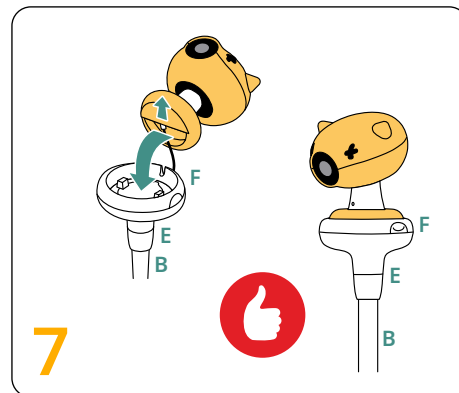
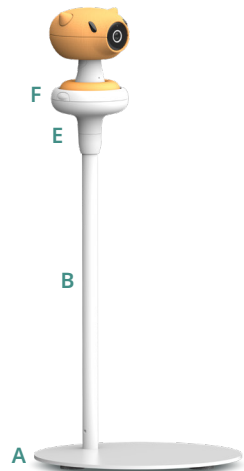
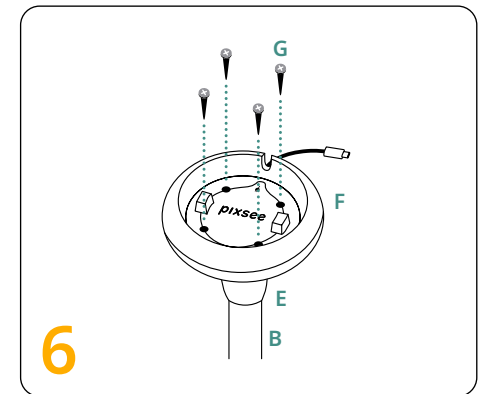
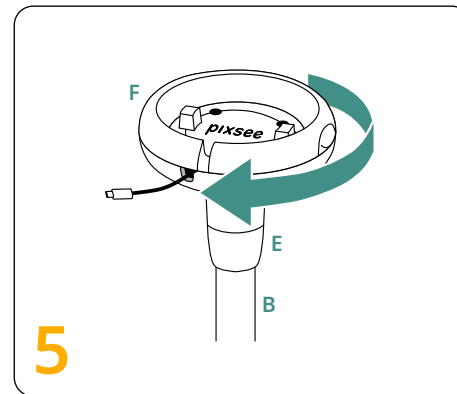
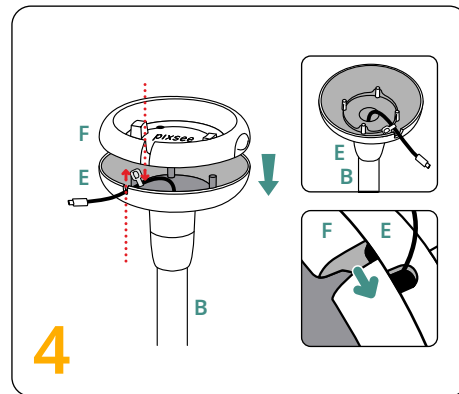
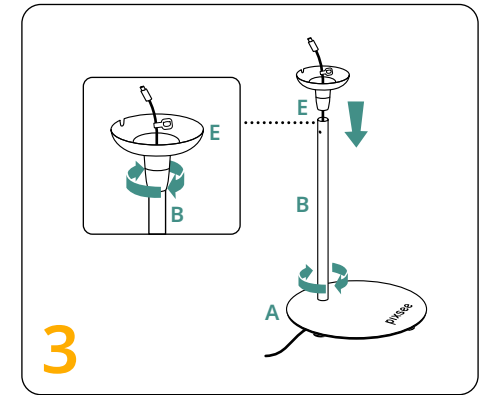
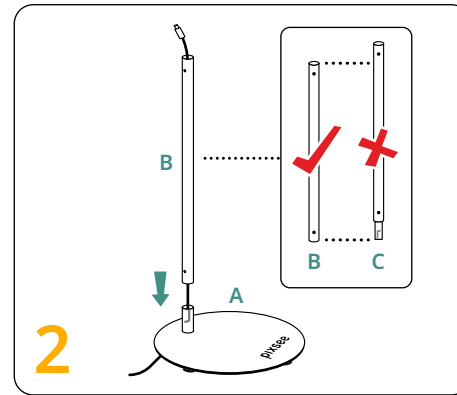
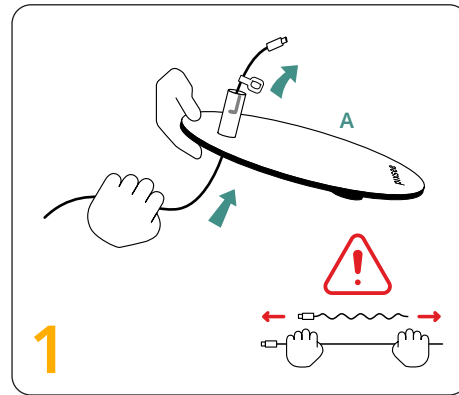
Suitable for use in bedrooms, living rooms, kitchens and daily contact.



Free-Standing Installation

Low-Level View

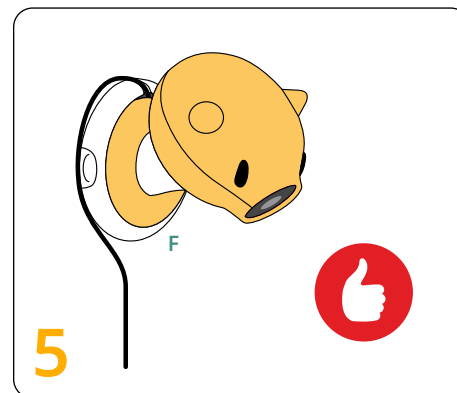
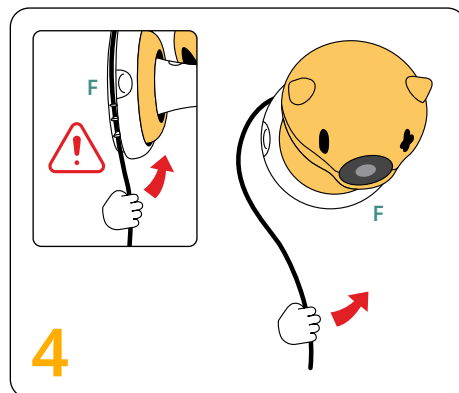
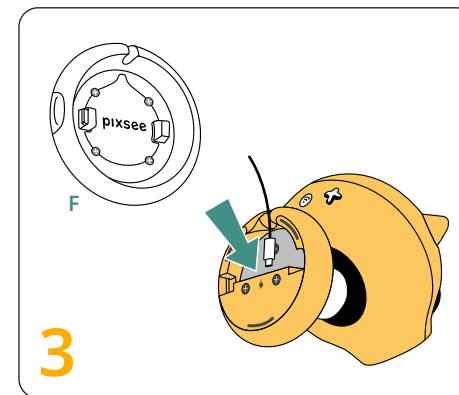
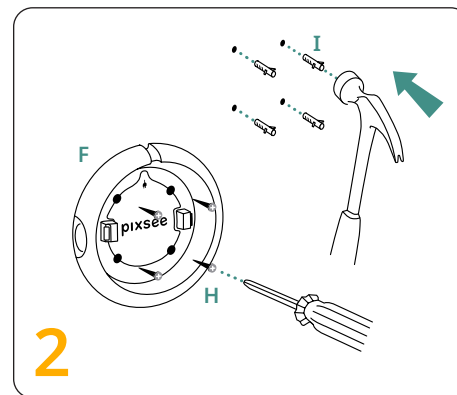
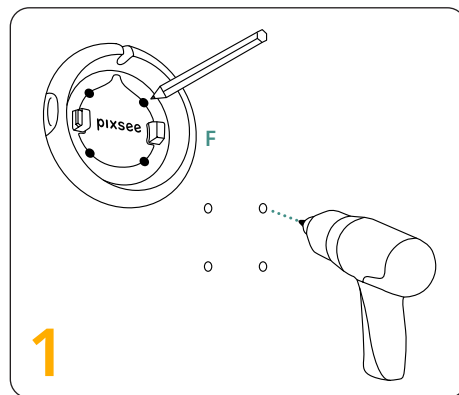
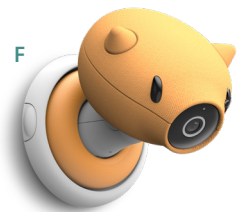
Suitable for use in playtime, story-time, crawling and floor games.



Wall Installation

Wall Mount

Suitable for monitoring baby cribs.



Appendix



Warnings and Precautions

- Children, the elderly and people with disabilities should use this product under supervision and guidance. Do not allow children to use this product as a toy without supervision.
- Do not use this product on a sloping or unstable surface, keep it away from heat sources to avoid damaging the plastic parts, and do not place it near or on any electrical appliances.
- This product needs to be plugged in to a power source before it can be used. If the power cord is unplugged, it cannot be turned on.
- A socket with a rated power supply of 110V-240V and a rated current of 5V/3A must be used with this product. Do not use a universal socket with other electrical appliances at the same time. Improper use of an AC adapter with the wrong power rating on this product might cause damage to the internal parts.
- Please do not use extension cords that have not been certified in your respective country/region to avoid the risk of fire. It may also affect the Wi-Fi transmission and the performance of this product.
- Please do not use faulty accessories on this product.
- Do not touch the plug contacts with sharp or metal objects.
- Please test this product and all its functions before actually using the product to familiarize yourself with this product during actual use.
- Do not cover this product or its cables with towels and blankets.
- The product will dissipate the heat generated during normal operation on the surface. Please do not leave the product on your knees or any part of your body for an extended period of time to avoid possible physical discomfort due to high temperature.
- Please avoid placing this product near magnetic materials (such as speakers and TVs).
- Do not use this product in an environment that could potentially leak flammable gas, or expose the product to rain or humid conditions.
- Avoid using the modem to connect to the Internet under thunder and lightning to avoid long-distance electric shock.
- Do not store this product near a fire source or throw it into a burning fire to avoid explosions or other accidents.
- To maintain aviation safety, please do not use this product during a flight. The network signal of this product may cause interference to the internal navigation systems of planes.
- If the product or the power cord is damaged, please do not attempt to disassemble the product. Please contact our company's after-sales service team: support@Pixseecare.com

RF Exposure warning

This device has been tested and meets applicable limits for Radio Frequency (RF) exposure.

This equipment should be installed and operated with a minimum distance of 20 cm between the radiator and your body.

This device meets EU requirements and the International Commission on Non-Ionizing Radiation Protection's (ICNIRP) regulations on the limitation of exposure of the general public to electromagnetic fields by way of health protection. The device is restricted to indoor use only when operating in the 5150 to 5350 MHz frequency range.

AT	BE	BG	HR	CY	CZ	DK
EE	FI	FR	DE	EL	HU	IE
IT	LV	LT	LU	MT	NL	PL
PT	RO	SK	SI	ES	SE	UK
IS	LI	NO	CH	TR		

Informations d'exposition RF (MPE)

Cet appareil a été testé et répond aux limites applicables en matière d'exposition aux radiofréquences (RF).

Cet équipement doit être installé et utilisé avec une distance minimale de 20 cm entre le radiateur et votre corps.

FCC Information

Changes or modifications not expressly approved by the party responsible for compliance could void the user's authority to operate the equipment.

This equipment has been tested and found to comply with the limits for a Class B digital device, pursuant to part 15 of the FCC Rules. These limits are designed to provide reasonable protection against harmful interference in a residential instal-

lation. This equipment generates, uses and can radiate radio frequency energy and, if not installed and used in accordance with the instructions, may cause harmful interference to radio communications. However, there is no guarantee that interference will not occur in a particular installation. If this equipment does cause harmful interference to radio or television reception, which can be determined by turning the equipment off and on, the user is encouraged to try to correct the interference by one or more of the following measures:

- Reorient or relocate the receiving antenna.
- Increase the separation between the equipment and receiver.
- Connect the equipment into an outlet on a circuit different from that to which the receiver is connected.
- Consult the dealer or an experienced radio/TV technician for help.

This device complies with part 15 of the FCC Rules. Operation is subject to the following two conditions: (1) This device may not cause harmful interference, and (2) this device must accept any interference received, including interference that may cause undesired operation.

ISED Information

This device contains licence-exempt transmitter(s)/ receiver(s) that comply with Innovation, Science and Economic Development Canada's licence-exempt RSS(s). Operation is subject to the following two conditions: (1) This device may not cause interference. (2) This device must accept any interference,

including interference that may cause undesired operation of the device.

For information on detailed updates to this product manual, please visit the customer service page on the official Pixsee website.

L'émetteur/récepteur exempt de licence contenu dans le présent appareil est conforme aux CNR d'Innovation, Sciences et Développement économique Canada applicables aux appareils radio exempts de licence.

L'exploitation est autorisée aux deux conditions suivantes: 1) L'appareil ne doit pas produire de brouillage; 2) L'appareil doit accepter tout brouillage radioélectrique subi, même si le brouillage est susceptible d'en compromettre le fonctionnement.

CAN ICES-3(B)/NMB-3(B)

This device contains license-exempt transmitter(s)/ receiver(s) that comply with Innovation, Science and Economic Development Canada's license-exempt RSS(s). Operation is subject to the following two conditions:

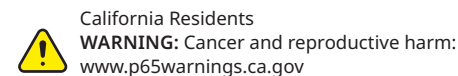
- (1) This device may not cause interference.
- (2) This device must accept any interference, including interference that may cause undesired operation of the device.

The device is restricted to indoor use only when operating in the 5150 to 5350 MHz frequency range, as to reduce the potential of harmful interference to co-channel mobile satellite systems.

les dispositifs fonctionnant dans la bande de 5 150 à 5 250 MHz sont réservés uniquement pour une

utilisation à l'intérieur afin de réduire les risques de brouillage préjudiciable aux systèmes de satellites mobiles utilisant les mêmes canaux

Company name: SHENNONA CORPORATION
Address: 1171 Montague Expressway Milpitas, CA 95035-6845 Tel number: 408-262-7877



EU/UK Safety Information

Wireless Specifications and Declared Maximum RF Power:

- 2400 – 2483.5 MHz (Wi-Fi 2.4GHz): 20dBm (e.i.r.p)
- 5150 – 5250 MHz (Wi-Fi 5GHz): 23dBm (e.i.r.p)
- 5250 – 5350 MHz (Wi-Fi 5GHz): 20dBm (e.i.r.p)
- 5470 – 5725 MHz (Wi-Fi 5GHz): 20dBm (e.i.r.p)
- 5745 – 5850 MHz (Wi-Fi 5GHz): 14dBm (e.i.r.p)

Waste Electrical and Electronic Equipment (WEEE)



This symbol means that according to local laws and regulations your product and/or its battery shall be disposed of separately from household waste. Your product is designed and manufactured with high quality materials and components, which can be recycled and reused. When this crossed-out wheeled bin symbol is attached to a product it means the product is covered by the European Directive 2012/19/EU.

Friendly Reminders

Please find out for yourself about the local separate collection system for electrical and electronic products.

Please act according to your local rules and do not dispose of your old products alongside your normal household waste.

The correct disposal of your old product will help prevent potential negative consequences for the environment and human health.

Rated Supply Voltage: 5 Vdc Max. Load Current: 3 A

Rated Power (Max.): 10 W

Environmental specifications

Operating Ambient Temperature: 0°C – 60°C

Relative Humidity: up to 90 % non-condensing

In order to reduce the risk of Sudden Infant Death Syndrome (SIDS), the Centers for Disease Control and Prevention (CDC) has compiled a few tips on what parents and caregivers can do to help babies sleep safely. We hope every baby will sleep safely, warm and sound.

- Babies sleeping in the same bed with others is one of the risk factors for SIDS. Even with parents or multiple siblings, it is recommended for infants to sleep in the same room but on different beds.
- When using a towel or blanket to keep your baby warm, you should wrap it on your baby's chest and expose their arms to reduce the chance of the towel or blanket covering your baby's face, or wear one piece or sleep sack pajamas.
- The surface of the crib must be solid and flat, and there must be no soft objects such as pillows, stuffed toys, etc. Do not allow babies to sleep on sofas, chairs, cushions or on their parents or caregivers.
- To prevent overheating, do not put on too much clothing on your baby or wrap them too tightly. Ensure good ventilation if there is no air conditioning available.
- Ensure a smoke-free environment for your baby, and do not allow anyone to smoke near your loved one.

Product Disposal and Recycling Information

- Please abide by the laws and regulations in your area to properly dispose of this product and

recyclable items. Please contact your local government agency to understand the relevant laws and regulations, and identify recycling items and recycling collection points in your area.

- Please take this product to the collection point for recycling of electrical and electronic equipment in accordance with local regulations. Do not dispose of this product together with normal household waste. By recycling waste equipment, you can make an important contribution to environmental protection.

Cleaning and maintenance (camera)

- Please use a clean dry cloth for cleaning and wiping.
- Do not use strong solvents such as thinners, benzene-containing solvents or other chemical solvents next to or on this product.
- This product only features splash-proof protection. Please do not expose the product to water splashes, showers, or any contact with sea water, salt water, chlorinated water or beverages and other liquids. Improper use will void your warranty.
- Before cleaning your product, please ensure power is turned off, and the power cord from the AC adapter is disconnected.

Cleaning and Maintenance (Pixsee Friends)

- Hand wash recommended. Please wring it out slightly and dry it in shade. Do not scrub, dry,

iron, bleach, dry clean and avoid prolonged exposure to sunlight.

Cleaning and maintenance (stand)

- Please use a clean dry cloth for cleaning and wiping.

Warranty and After-Sales Service

When you start to use this product, you are deemed to have read, understood, accepted and agreed to all terms and contents of this instruction manual, important warnings and safety tips, precautions and disclaimers.

You agree to the use of this product only for its intended purposes and agree to abide by these terms and any relevant policies or guidelines.

For information on detailed updates to Warranty and After-Sales Service, please visit the customer service page on the official website.

Disclaimers

- This instruction manual is provided “as-is”, without warranties of any kind, either directly expressed or implied. To the maximum extent permitted by applicable laws, we provide the document AS IS AND WITH ALL FAULTS. You shall bear all the risks arising from the use of this manual.
- You fully understand and agree that we reserve the right to make changes to this instruction manual. In the event of changes to product spec-

ifications or product drivers, this manual will be updated accordingly.

- For information on detailed updates to this instruction manual, please visit the customer service page on the official Pixsee website.
- Please refer to the description page of the terms of use and privacy policy in the App to view software disclaimers for use of the Pixsee App.



感謝您購買本產品

讓 Pixsee Play & Pixsee Friends 與您一起展開陪伴寶寶的驚喜旅程!

任何問題? support@Pixseecare.com

請您保留原始的購買收據並註明購買日期,作為保固期內需要維修服務時的依據。

使用產品前請仔細閱讀本說明書,其中描述之功能如有更改,恕不另行通知。

請隨時參閱官方網站以獲得最新產品資訊: Pixseecare.com

下載 Pixsee App



請先閱讀第33頁的安全警語、安裝準則及注意事項,再進行安裝

說明書內容

33 重要警語、安全提示與安裝準則

34 Pixsee Play & Pixsee Friends 產品介紹及使用說明

35 攝影機規格及內容物

36 攝影機外觀與功能

37 攝影機規格與燈號說明

38 Pixsee 夥伴動物規格

40 Pixsee 夥伴動物布偶外觀

42 攝影機安裝、App設定與Pixsee Friends 配對

49 Pixsee 五合一成長支架組安裝說明

50 內容物

51 立地式安裝步驟

55 壁掛式安裝步驟

56 注意事項、清潔、保固及其他聲明

57 注意事項

57 友善建議與NCC警語

58 設備廢棄及回收處置

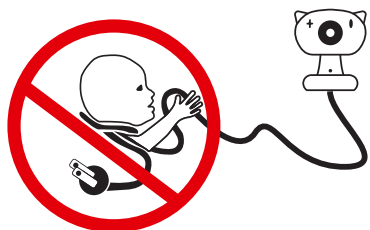
58 清潔保養、免責聲明與保固維護

重要警語與安全提示

Pixsee Play AI 智慧寶寶攝影機

警告：絞勒窒息危險。

- 請勿讓孩童接觸電線 (請保持3.5英尺(1公尺)以上的距離)。
- 請勿將Pixsee Play AI智慧寶寶攝影機放在嬰兒床或嬰兒護欄內。
- 請使用本產品隨箱提供的變壓器，並切勿將上述變壓器插入未經國家安全認證之延長線。
- 本攝影機為輔助工具，無法取代具成人監督意義之功能及責任。
- 請勿將嬰兒獨自留在家中，嬰兒必須隨時有成人之照護並回應其需求。



Pixsee 夥伴動物布偶

警告：

- 請將Pixsee夥伴動物布偶遠離火源。
- 請於由成人進行包裝拆卸，拆卸後後立即將塑膠袋銷毀或遠離嬰幼童，以避免兒童產生窒息之危險。
- 請於兒童使用之前移除所有標籤。
- 請於成人監督下使用產品。

Pixsee 專利五合一成長支架

警告：請勿讓寶寶觸碰搖晃支架

- 安裝前請務必先詳閱說明書中支架正確安裝方式。
- 應留意立架使用場域安全，不可讓幼童觸碰嬉戲，並於不使用時，也應收納妥當，存放於孩童無法接觸的安全地點，才能有效避免孩童被夾傷、壓傷或卡住等意外事故發生。(專利五合一成長支架需另選購)



安裝準則

- 請將 Pixsee Play AI智慧寶寶攝影機和手機裝置一起使用，您必須在上述兩個裝置之間建立無線網路連接，該連接範圍將受到連網環境條件的影響。
- 任何大型金屬物體，例如：冰箱、鏡子、銼刀櫥櫃、金屬門或鋼筋混凝土等，皆可能阻擋本產品之無線電信號。
- 其他固體如牆壁等結構，或通過無線電及電氣設備(例如電視、計算機、無線電話、螢光燈或調光開關等)，也可能降低本產品之信號強度。
- 使用其他2.4GHz類產品，例如無線網絡(Wi-Fi®路由器)、Bluetooth™系統或微波爐，也可能干擾本產品之信號強度，因此請保持本產品距離上述類型產品至少5英尺(1.5公尺)的距離，或當上述類型產品疑似引起干擾，請將其關閉。
- 如果信號微弱，請嘗試移動本產品至房間不同位置。

pixsee
play



產品介紹及
使用說明

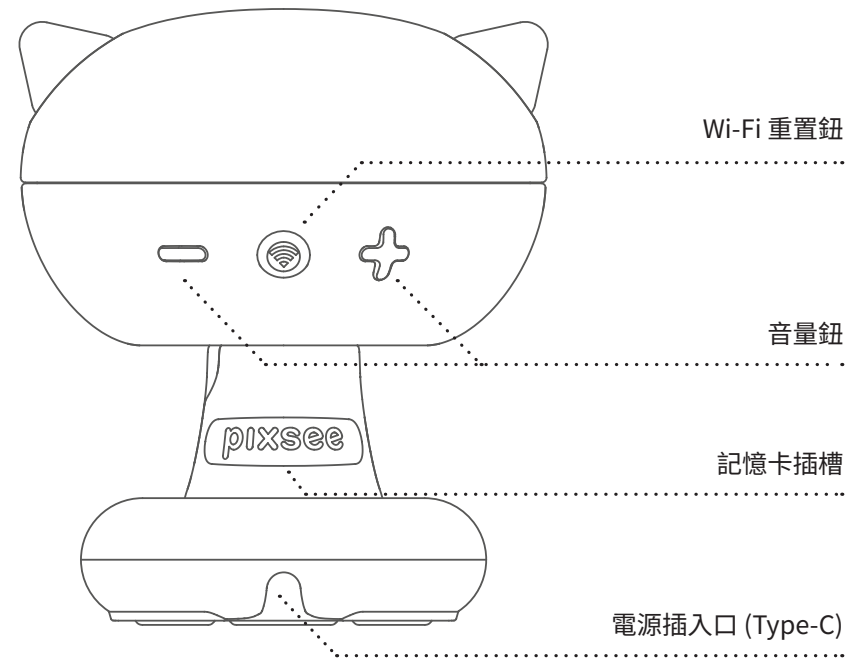
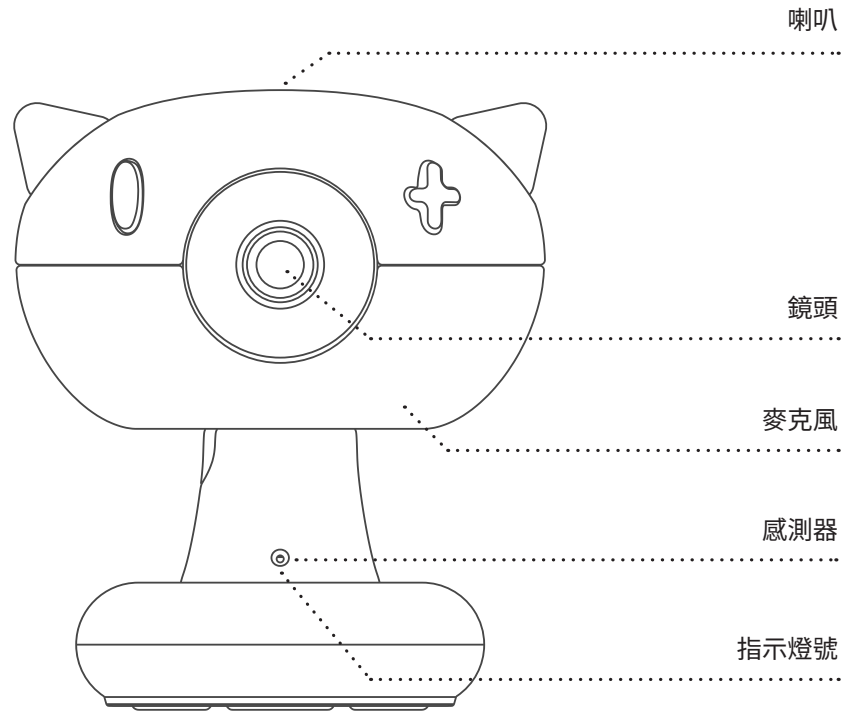
攝影機產品規格

外觀尺寸	116 x 112 x 131mm
重量	322 g
攝影鏡頭	1080p FHD 錄影畫質、500萬畫素6層全玻璃鏡頭、超廣角鏡頭模組、抗反射、防眩光鍍膜
夜視功能	高量子效率夜視CMOS感光元件、無紅曝LED夜視濾鏡 (3公尺距離範圍、波長940nm)、環境光源感測器
喇叭及麥克風	內建3W高音質喇叭與高感度麥克風
溫濕度感測器	可偵測環境範圍：溫度為0°C~60°C (32°F~140°F)、濕度為10%~90%
安全性	內建安全加密晶片、AES-128銀行級加密技術
電源	直流5伏特 = 3安培
電壓	100 – 240 V AC
配件	Power cable (3m), 5-in-1 Camera Stand, Wall Mount
連網環境需求	Wi-Fi 802.11 a / b / g / n / ac, 2.4GHz or 5GHz (WPA, WPA2 encryption supported); 為享有較佳使用體驗，建議 Wi-Fi上下傳速度至少各5Mbps 以上，體驗較佳。提醒：建議勿使用手機熱點連線。
App行動裝置系統版本需求	iOS 13.0 或以上 Android 10.0 或以上

內容物



攝影機產品外觀功能



按鍵說明

重置 Wi-Fi:

長按 Wi-Fi 重置鈕  10秒鐘

提高音量:

短按音量鈕 

降低音量:

短按音量鈕 

靜音:

長按音量鈕  2秒鐘

還原出廠狀態:

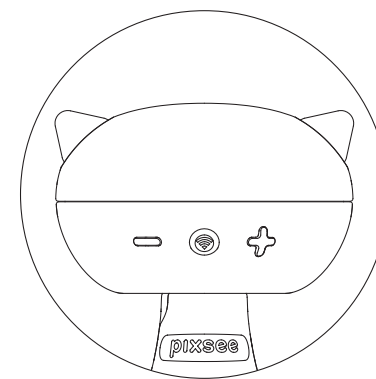
同時長按音量鈕  及音量鈕  10秒鐘,直到白色LED燈閃爍

重新啟動:

同時長按 Wi-Fi 重置鈕  及音量鈕  3秒鐘

睡眠模式:

短按 Wi-Fi  重置鈕



燈號說明

● 白色恆燈:

裝置啟動中/拍照中

● 白色閃燈:

可進行配對/倒數計時

● 綠色閃燈:

Wi-Fi連線中

● 綠色恆燈:

正常連線運作中

● 藍色閃燈:

Wi-Fi設定模式

● 藍+綠色閃燈:

網路連線或傳輸訊號狀況不佳

● 紫色恆燈:

靜音模式

● 紅色恆燈:

睡眠模式 (關閉鏡頭/麥克風/喇叭)

● 紅色閃燈:

韌體更新中

● 橘色閃燈:

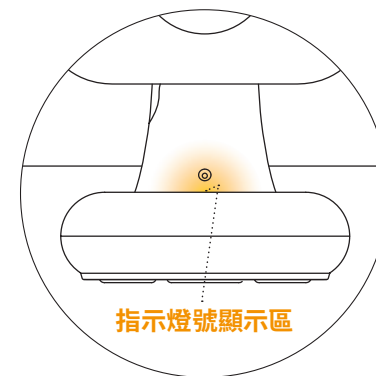
偵測到喚醒詞/語音指令/ Pixsee Friends並進行指令動作

● 橘色恆燈:

語音指令接收中

最新的燈號說明請參閱官方網站:

[Pixseecare.com/tw/support](https://pixseecare.com/tw/support), 搜尋問題處查詢”指示燈號”。



pixsee
friends

產品介紹及使用說明



Pixsee 夥伴動物布偶產品規格

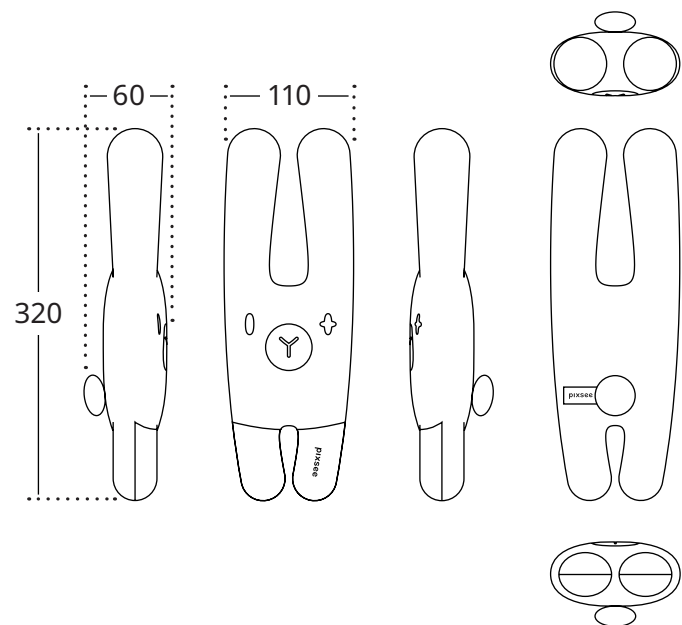
Bunee 動物布偶	型號	ST-PIXD01
	適用年齡	0歲以上
	尺寸	320 x 110 x 60 mm
	主要材料	100%聚酯纖維 & 100%亞麻
	內容物	聚酯纖維
Trunkee 動物布偶	型號	ST-PIXD02
	適用年齡	0歲以上
	尺寸	140 x 350 x 80 mm
	主要材料	100%聚酯纖維 & 100%亞麻
	內容物	聚酯纖維
Monkee 動物布偶	型號	ST-PIXD03
	適用年齡	0歲以上
	尺寸	260 x 210 x 60 mm
	主要材料	100%聚酯纖維
	內容物	聚酯纖維

Dragee 動物布偶	型號	ST-PIXD04
	適用年齡	0歲以上
	尺寸	245 x 270 x 75mm
	主要材料	100%聚酯纖維
	內容物	聚酯纖維
Unicoree 動物布偶	型號	ST-PIXD05
	適用年齡	0歲以上
	尺寸	245 x 314 x 75 mm
	主要材料	100%聚酯纖維
	內容物	聚酯纖維
Owlee 動物布偶	型號	ST-PIXD036
	適用年齡	0歲以上
	尺寸	170 x 242 x 68 mm
	主要材料	100%聚酯纖維
	內容物	聚酯纖維

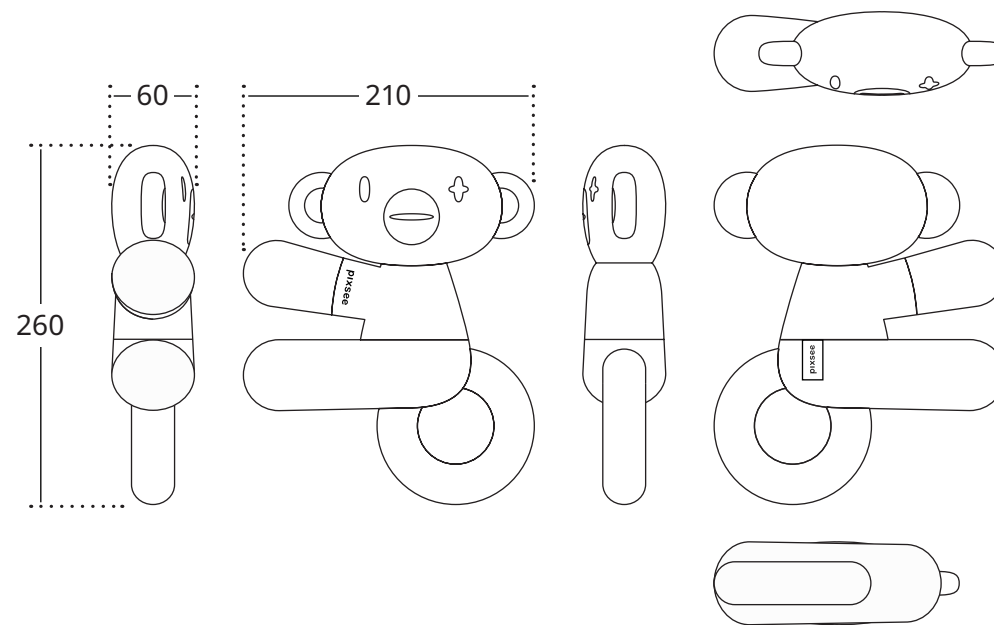
本產品之樣品經Intertek檢驗，符合美國ASTM F963、CPSC
與歐盟EN71標準之安全 and 有害化學物質要求。

Pixsee 夥伴動物布偶外觀

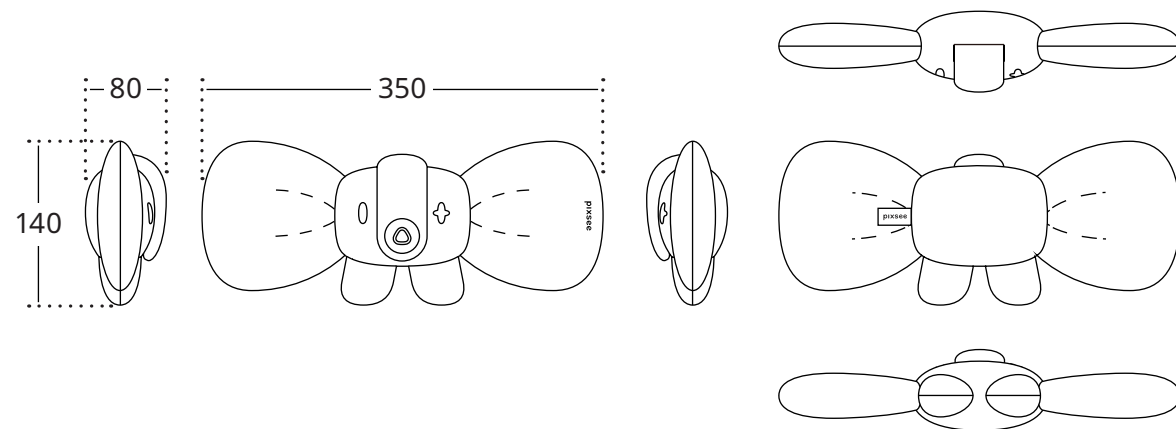
Bunee



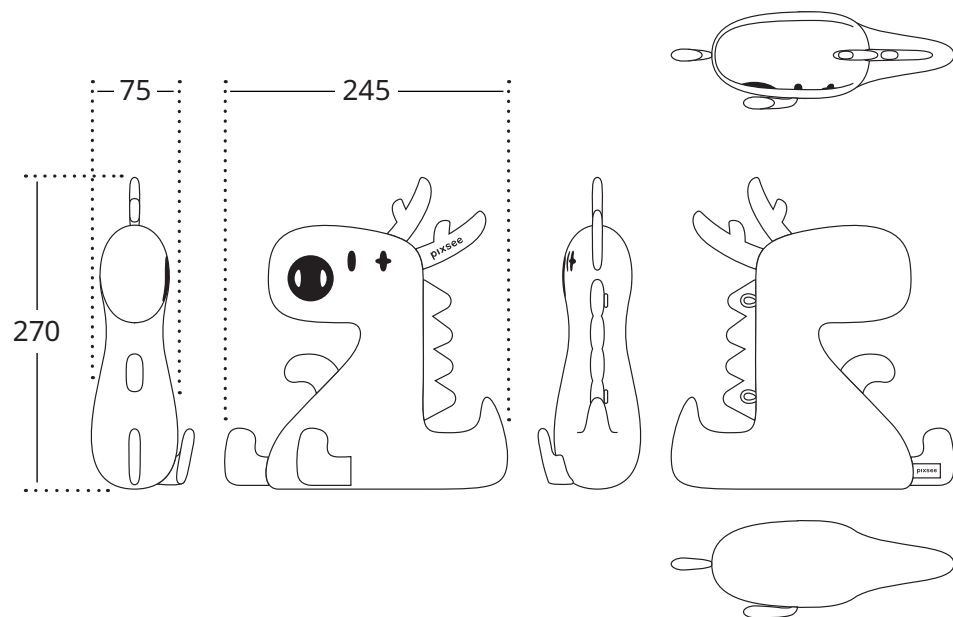
Monkee



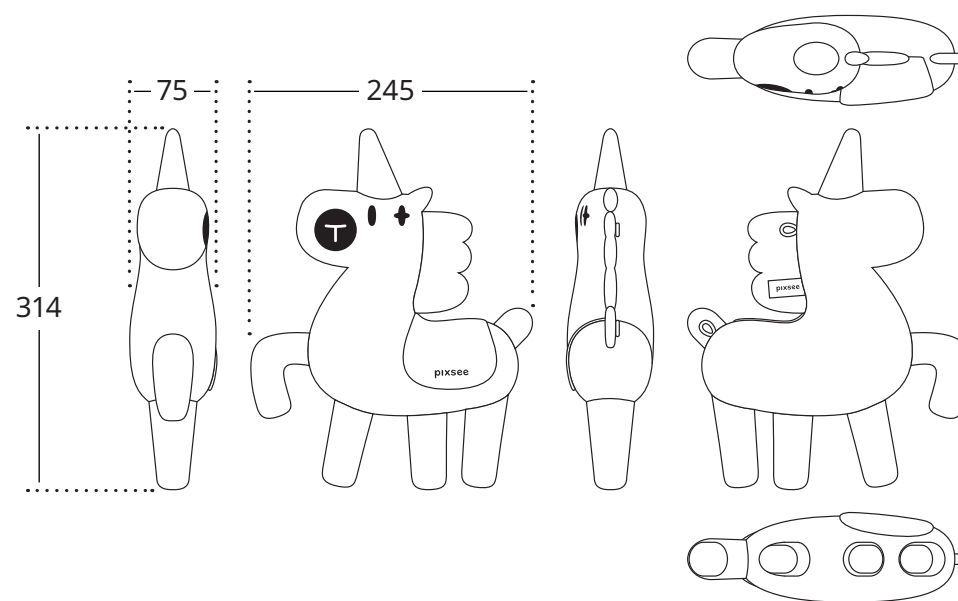
Trunkee



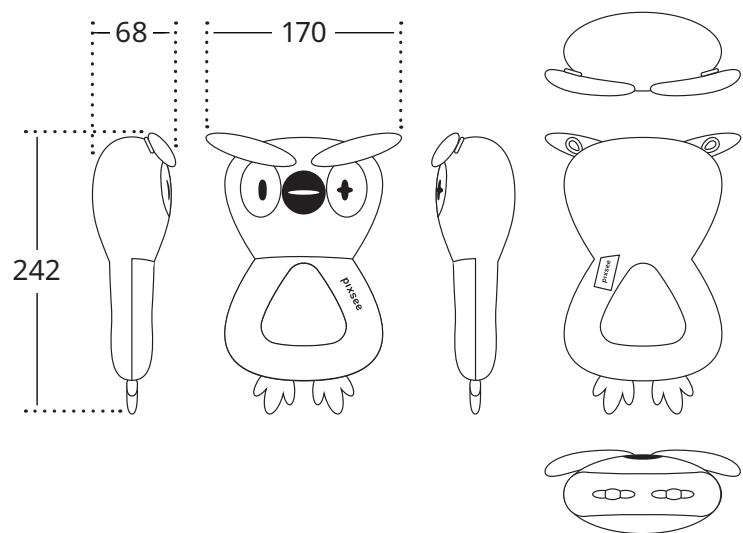
Dragee



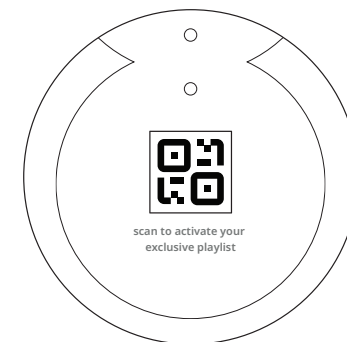
Unicoree



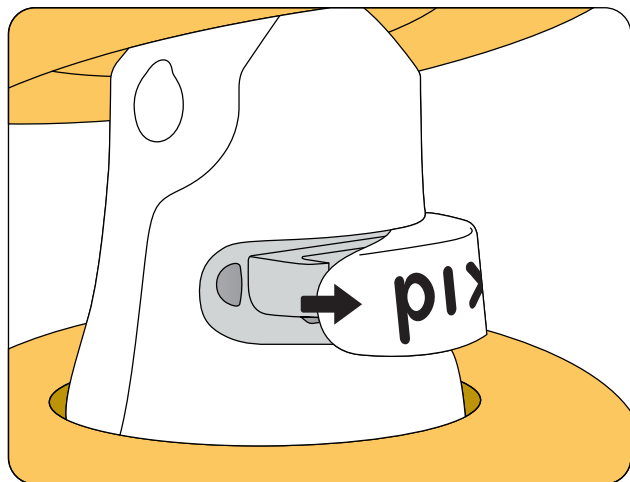
Owlee



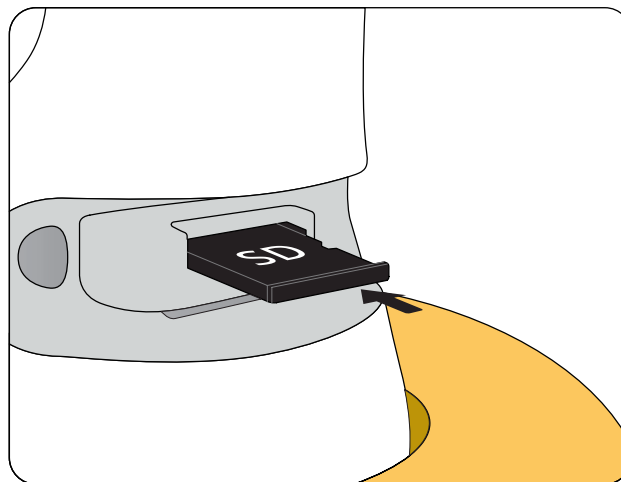
吊牌標籤上QR Code是配對過程之重要資訊，請妥善保留，以備將來參考。



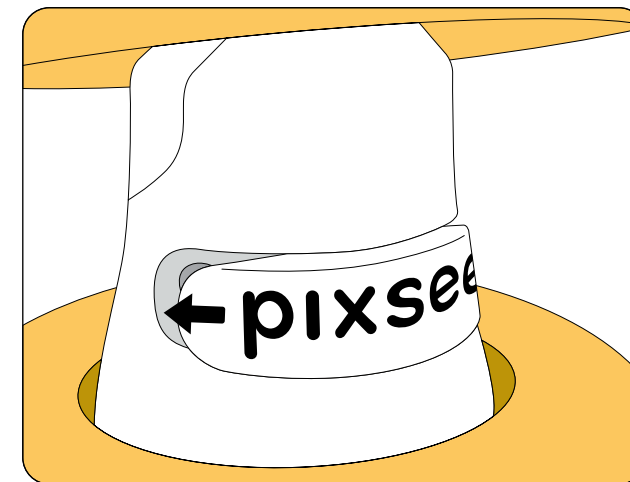
攝影機安裝及連線步驟說明 安裝與置換SD卡



1. 打開SD卡匣的橡膠蓋。



2. 放入或替換SD卡。

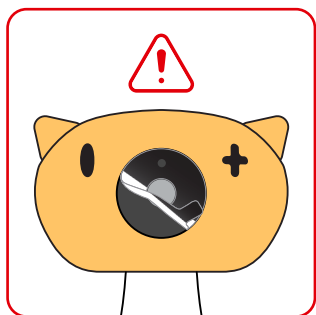


3. 蓋回橡膠蓋並確認密合，完成！

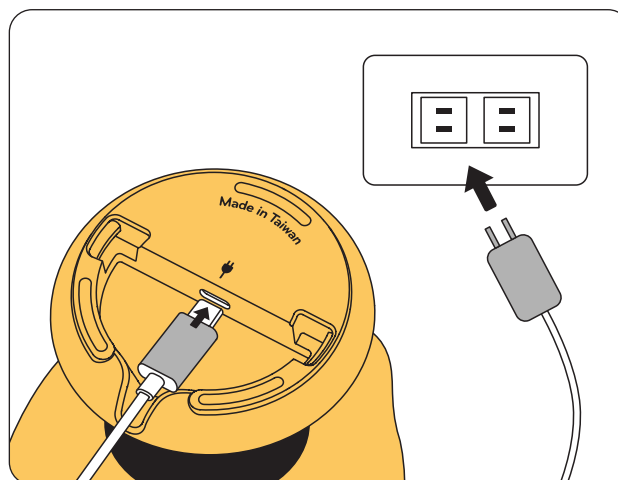
Pixsee Play的部份功能需搭配SD卡使用，有關SD卡支援規格，請參閱官方網站：pixseecare.com/tw/support，搜尋問題欄位查詢”SD卡支援規格”。

攝影機安裝

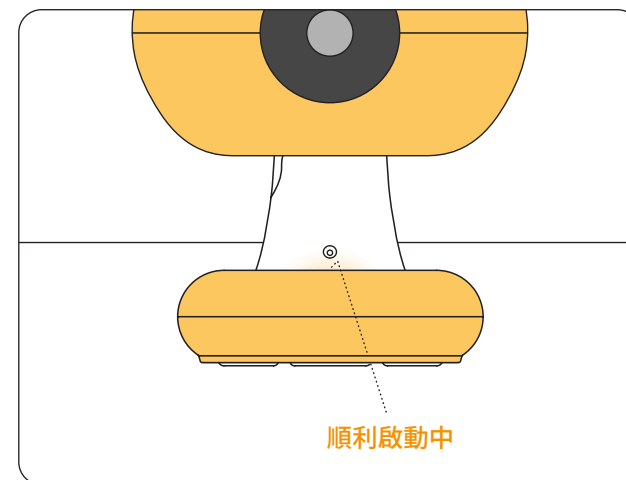
Pixsee Play AI 智慧寶寶攝影機適用於書架、書桌等任何平坦的表面之上。有關Wi-Fi 路由器支援規格資訊，請參閱官方網站：pixseecare.com/tw/support，搜尋問題欄位查詢“Wi-Fi路由器支援規格”。



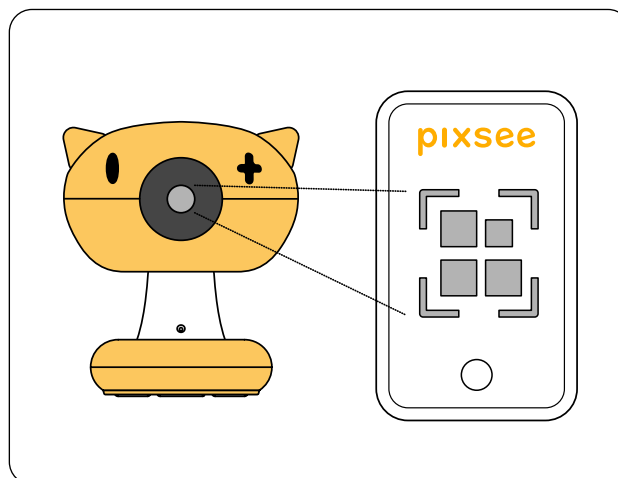
請先將鏡頭前黑色保護膜撕除



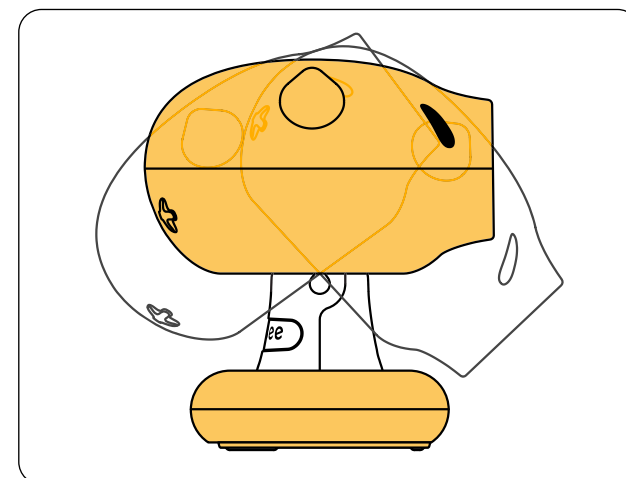
1. 連接電源。



2. 確認裝置啟動白色燈號。



3. 下載Pixsee App，依循指示操作，與裝置完成配對。



4. 調整鏡頭角度，完成!

攝影機配對及App使用設定

為了確保Pixsee連線品質與使用體驗，在您進行攝影機及App設定前，請先確認以下網路設定狀態：

1. 家中Wi-Fi網路確實開啟並連線正常。注意：家中Wi-Fi網路AP如果有超過一個以上，須請您先選擇並連接之網路AP。
2. 手機開啟Wi-Fi，並且確認手機Wi-Fi的設定確實連線到您指定的網路AP。

1. 註冊/登入帳號



1.1. 開始註冊

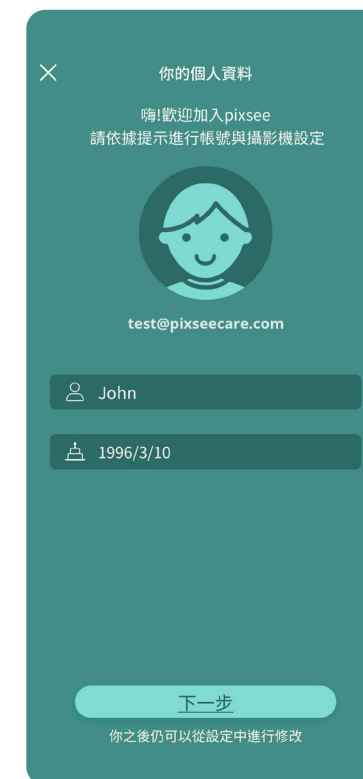
輸入電子郵件與密碼，點選 **繼續**，繼續電子信箱認證流程，完成認證流程，執行1-2。您也可利用 WeChat/Apple ID 完成註冊及登入。



1.2. 登入帳號

進入App，輸入電子郵件與密碼，或是以 WeChat/Apple 登入，開始使用App。

2. 建立及綁定會員資料



2.1. 建立使用者帳號

輸入您的名字與生日資訊，點選 **下一步** 繼續。

3. 建立裝置



3.1. 新增攝影機

請點選 **新增智慧寶寶攝影機** 繼續下一步。



3.2. 建立寶寶資訊

輸入寶寶名字與相關訊息，點選 **儲存** 以繼續



3.3. 選擇您的型號

請選擇您的Pixsee型號。



3.4. 確認燈號

先確認攝影機上白色燈號閃動，點選 **新增攝影機**

如果機器未顯示燈號

請按下 **我未看到燈號閃動** 進行攝影機重置(Reset)。

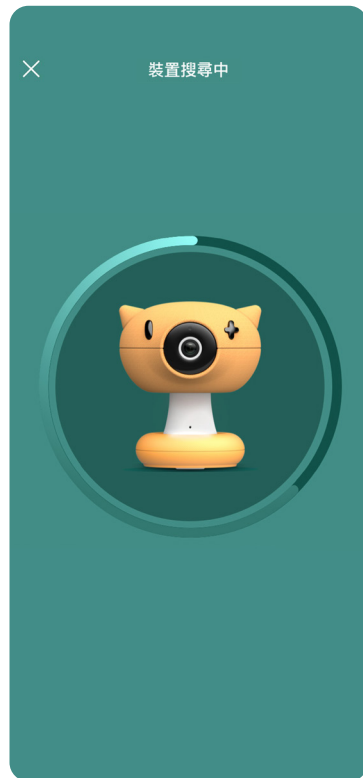


4. 網路連線與裝置配對(藍芽) (Pixsee Play)



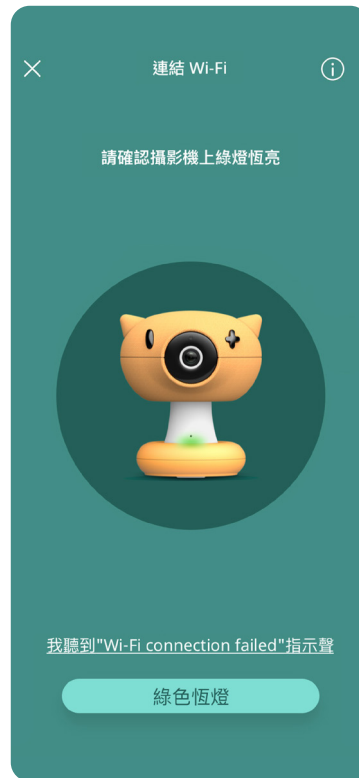
4.1. Wi-Fi設定

Pixsee Play會出現預設連線使用之Wi-Fi網路，請確認欲使用的Wi-Fi網路，並輸入Wi-Fi密碼，點選 **下一步** 繼續設定。



4.2. 藍芽配對

Pixsee Play會搜尋藍芽裝置並進行配對。



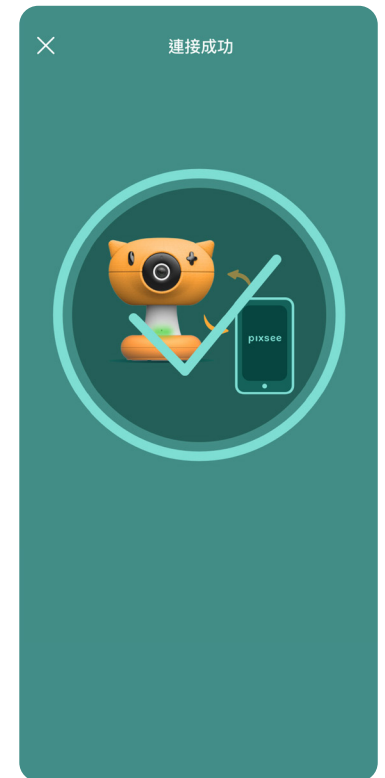
4.3. 連接Wi-Fi

當看到並確認攝影機上燈號顯示綠燈恆亮，按下指示按鍵繼續進行設定。



4.4. 連線配對

進行連線配對約需1~2分鐘，請耐心等待配對過程。



4.5. 完成配對設定

當畫面出現連線畫面表示設定成功，可開始體驗Pixsee美妙愉快的育兒旅程嚕~

5. Pixsee 夥伴綁定方式：搭配Pixsee Play裝置互動模式



5.1. 新增Pixsee夥伴

在主畫面的選單中選擇
新增Pixsee Friends
新增加入。



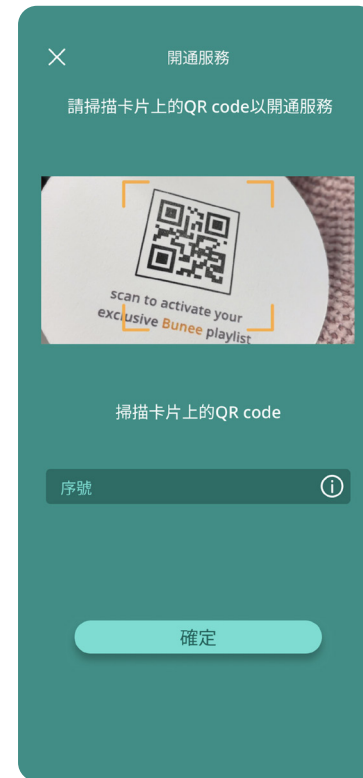
5.2. 新增Pixsee夥伴

請點選 **新增Pixsee Friends**
繼續下一步。



5.3. 加入Pixsee夥伴

請點選 **加入Pixsee夥伴**
繼續下一步。



5.4. 掃描QR code

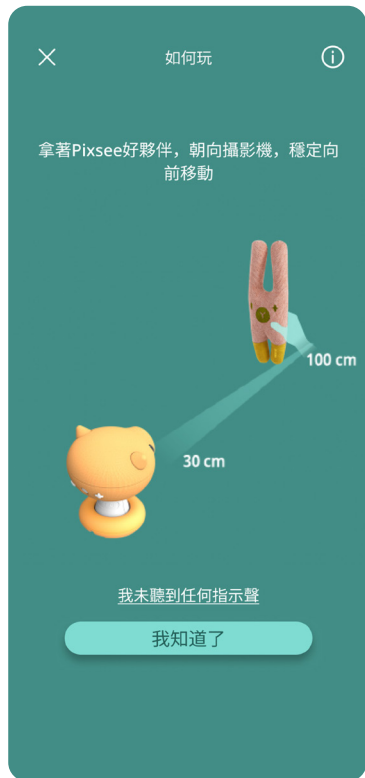
掃描Pixsee夥伴包裝吊牌標籤
上的QR code產生專屬序號來
綁定。按下 **確定** 完成綁定。



5.5. 綁定成功

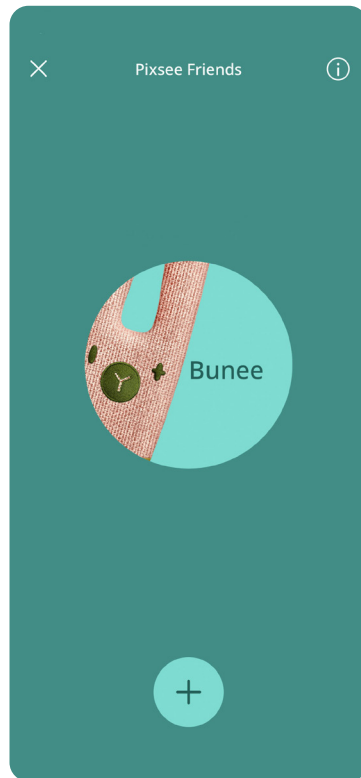
恭喜！您可以和Pixsee夥伴一起
玩耍囉~

5. Pixsee 夥伴綁定方式：搭配Pixsee Play裝置互動模式



5.6. 玩法說明

讓Pixsee Play偵測Pixsee夥伴，
啟動特製的音樂清單



5.7. 新增其他Pixsee夥伴

在「Pixsee Friends」頁面，您可以點選 **+** 新增綁定其他款式的Pixsee夥伴。再次完成綁定流程，便可輕鬆添加新的夥伴。



5.8. 專屬有聲內容頁面

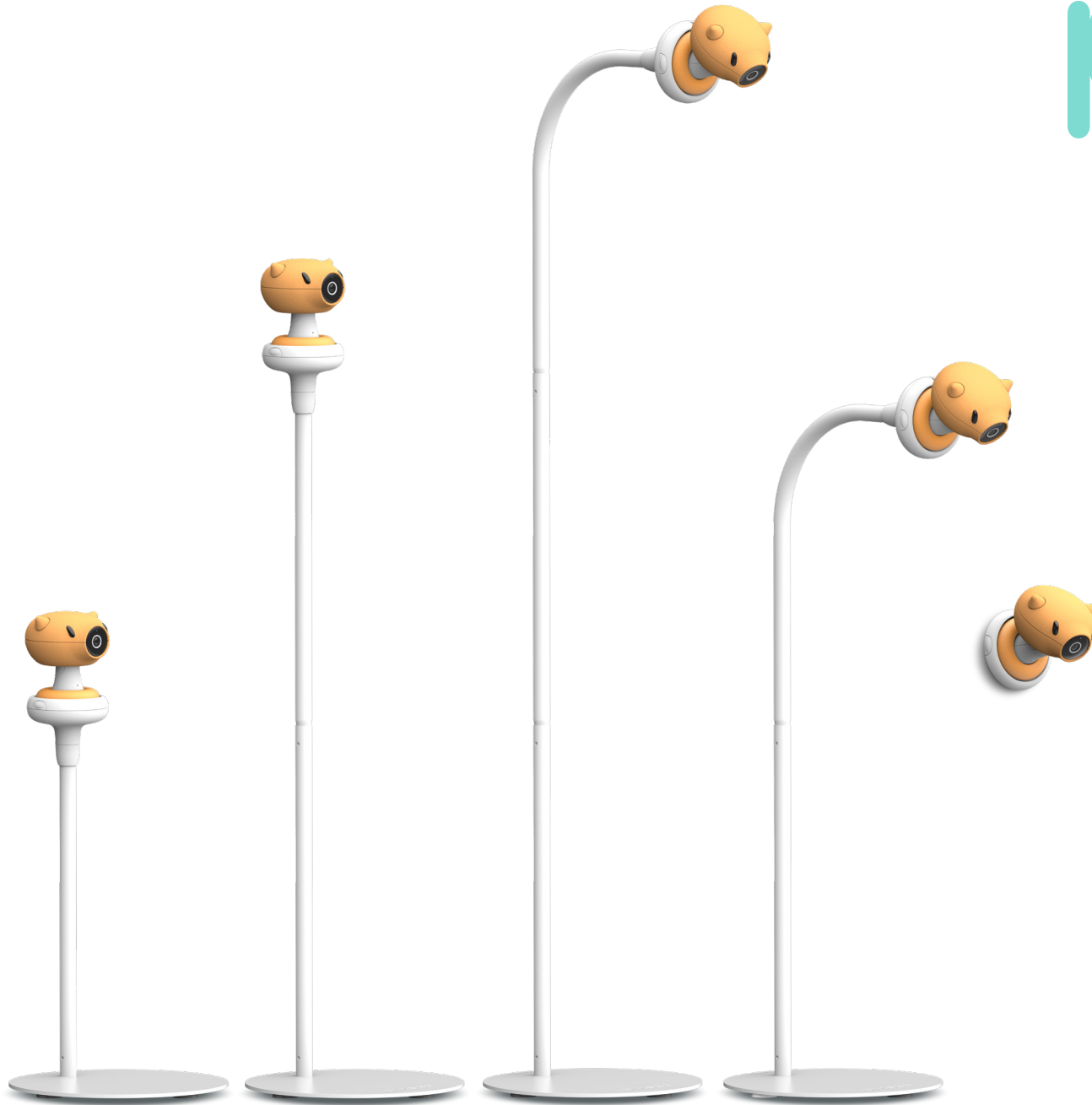
此外，您也可以直接點擊任一Pixsee夥伴，進入其專屬的有聲內容頁面進行操作與聆聽有聲內容。



讓Pixsee Play AI 智慧寶寶攝影機幫助您享受美妙的育兒旅程

pixsee

5-in-1 camera stand

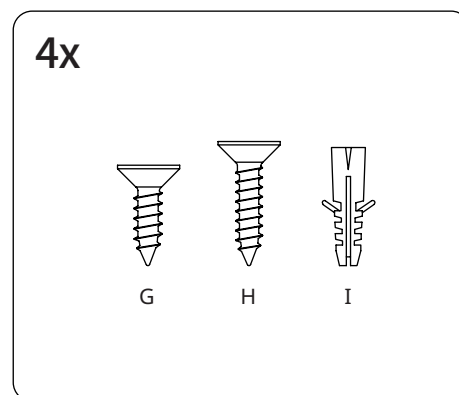
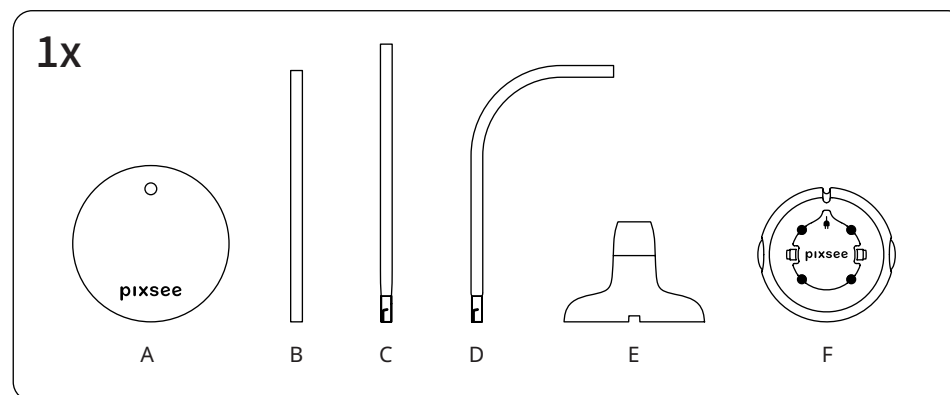


安裝說明

內容物

如您已持有Pixsee智慧寶寶攝影機，請先完成攝影機設置，確認最佳攝影位置後再進行支架安裝。

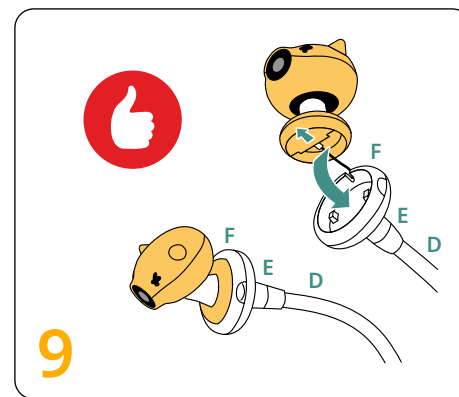
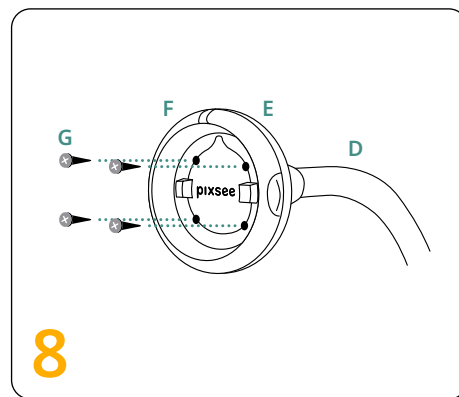
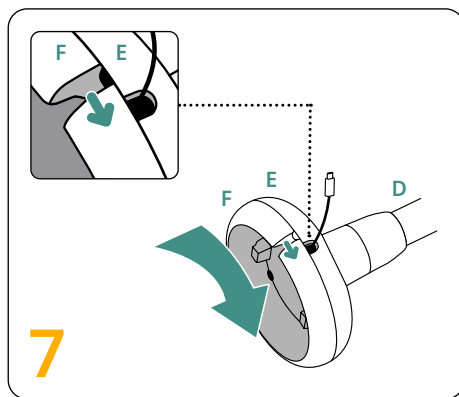
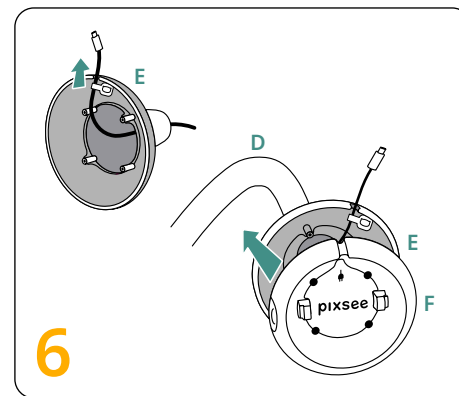
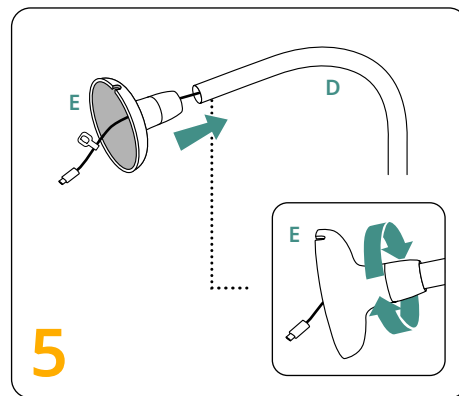
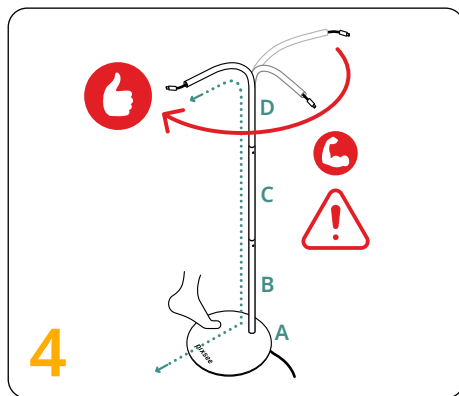
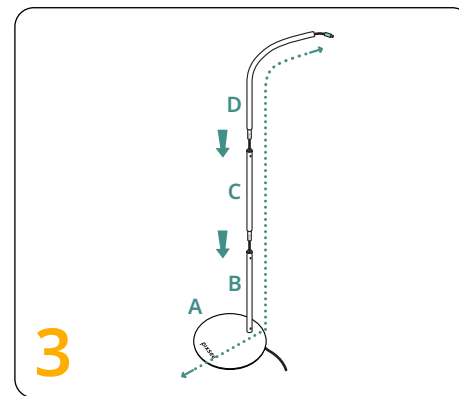
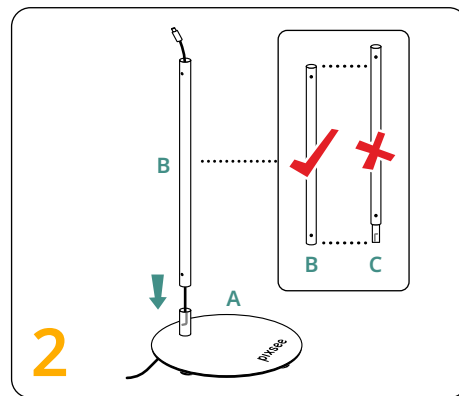
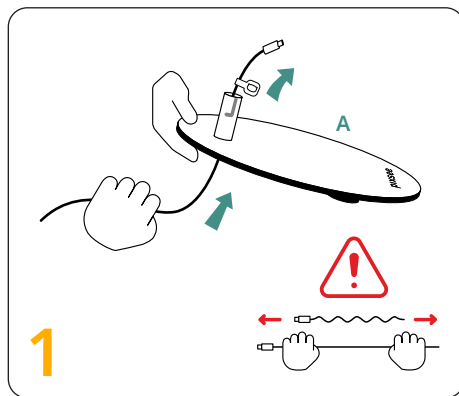
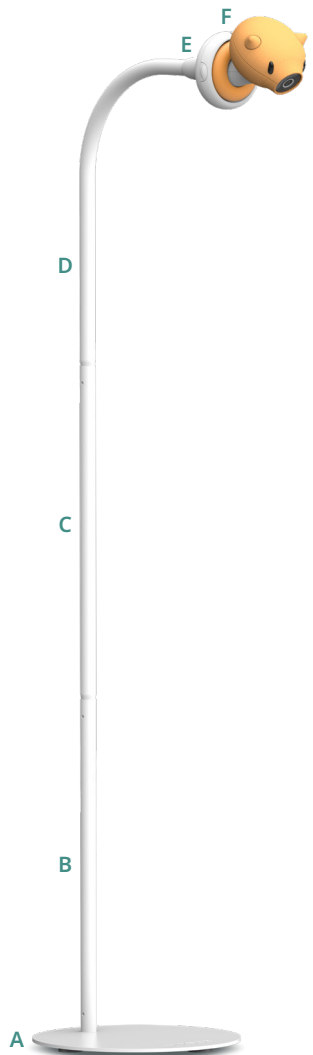
請確保攝影機之電源線正確安裝於支架金屬管內，避免使用時發生絆倒或是纏繞的危險。



立地式安裝步驟

高俯視

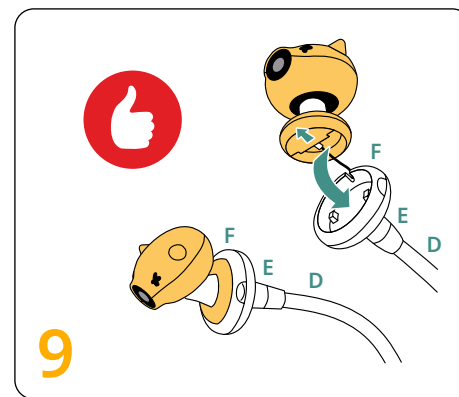
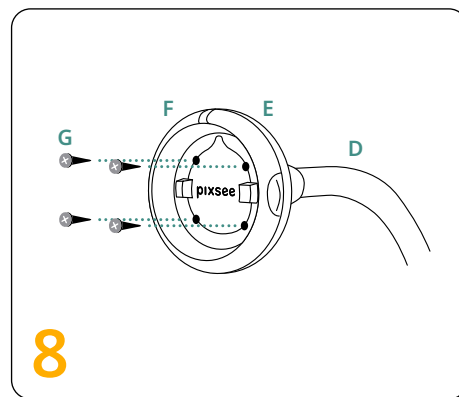
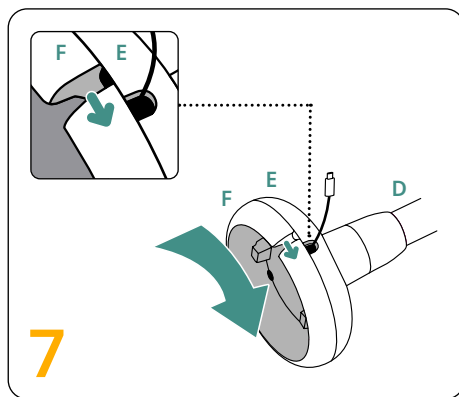
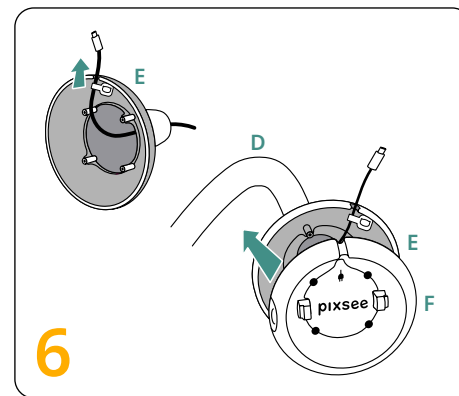
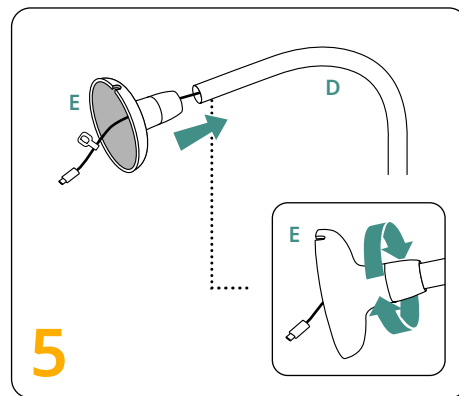
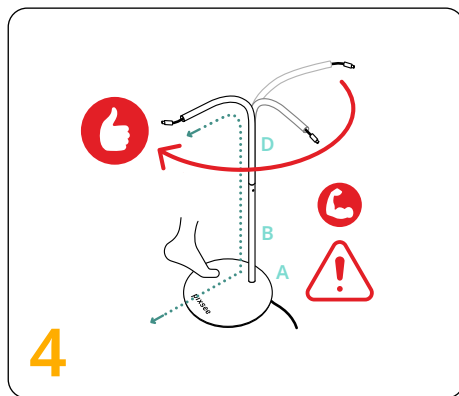
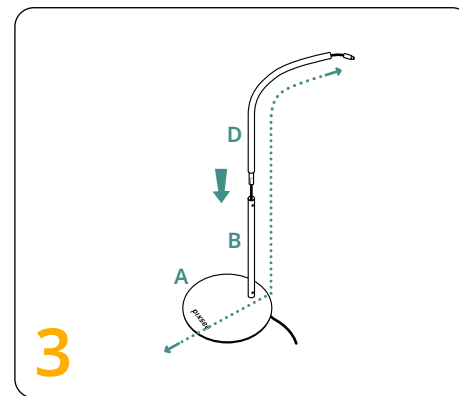
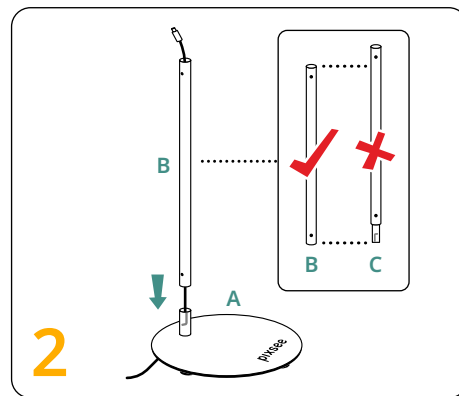
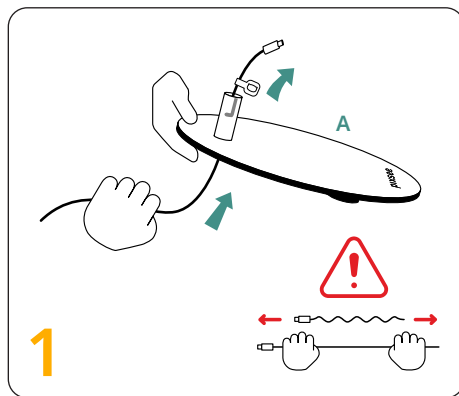
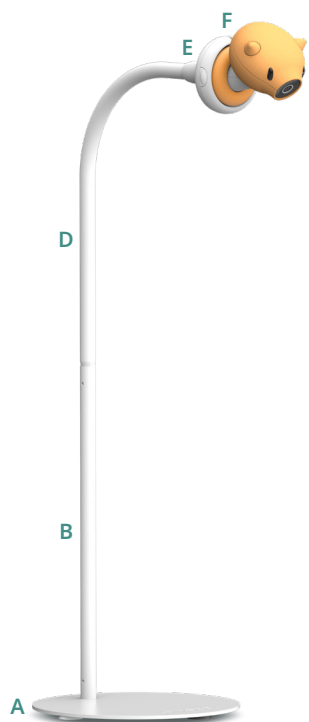
適合嬰兒床、玩桌遊。



立地式安裝步驟

低俯視

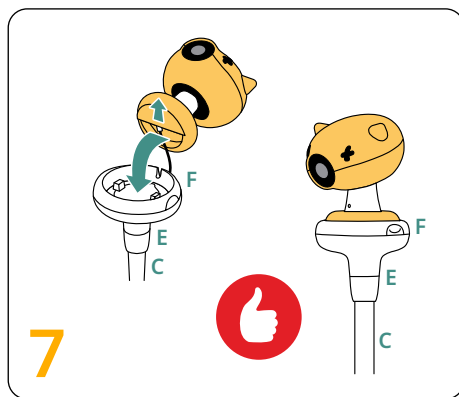
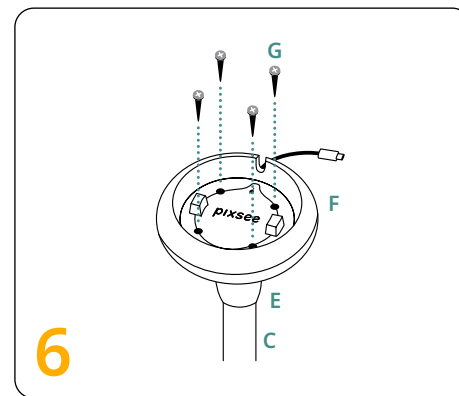
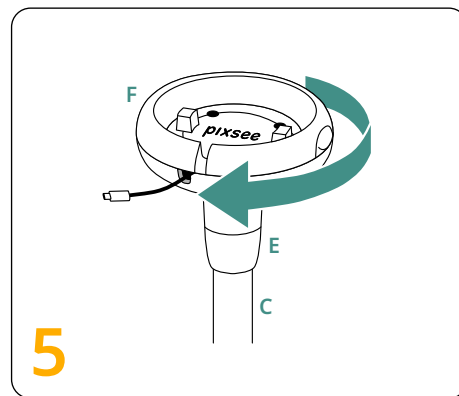
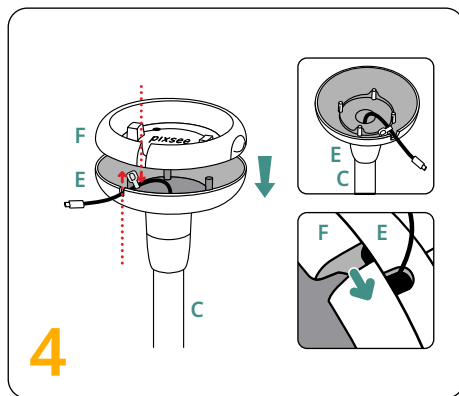
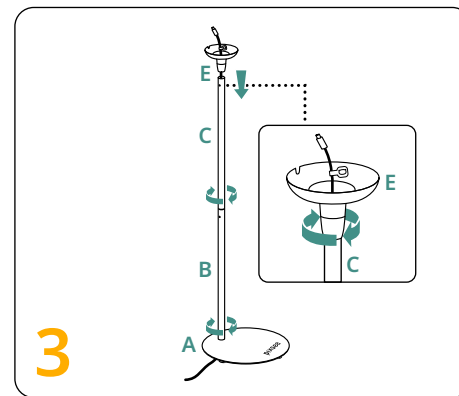
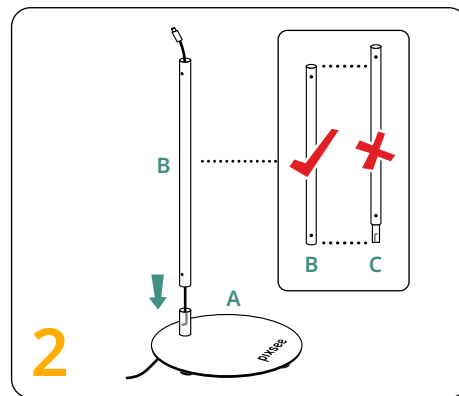
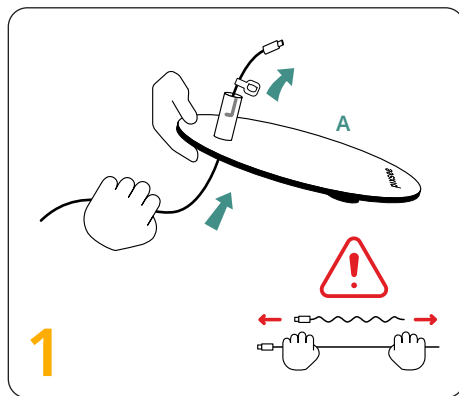
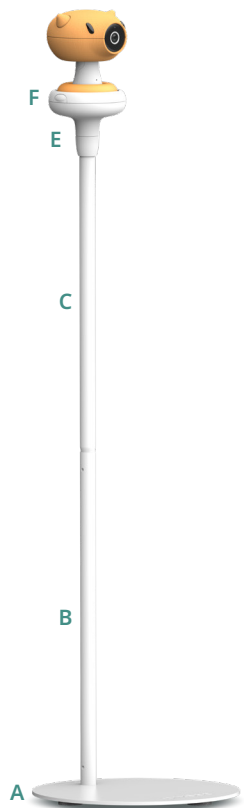
適合寶寶低躺椅。



立地式安裝步驟

高平視

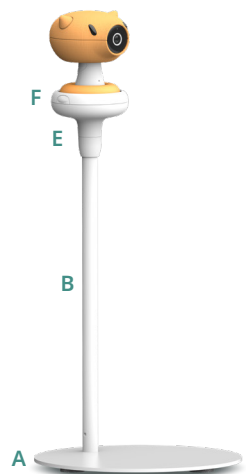
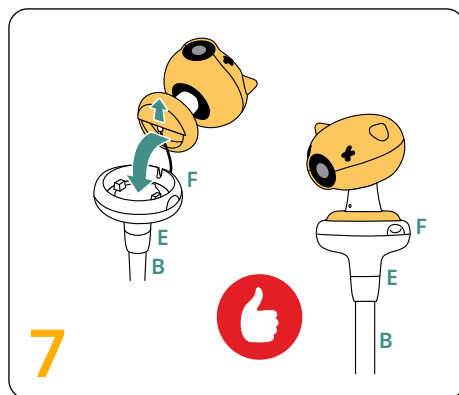
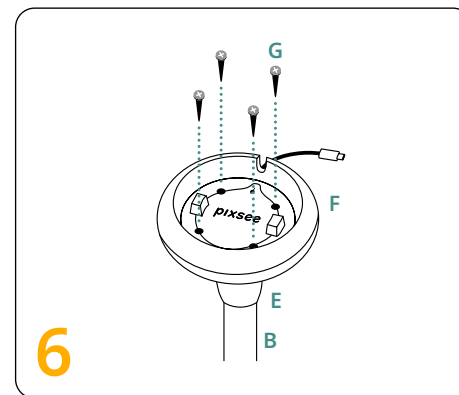
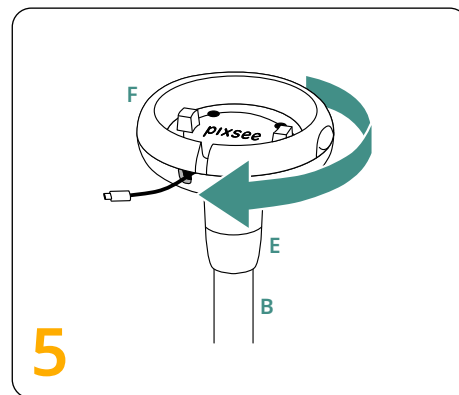
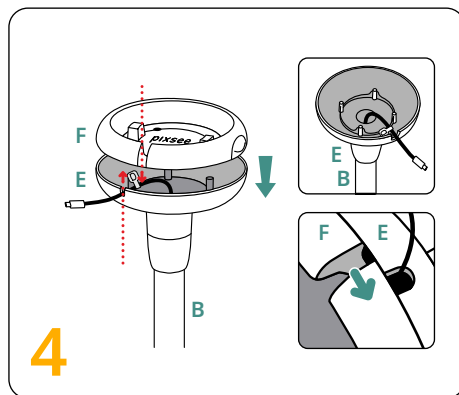
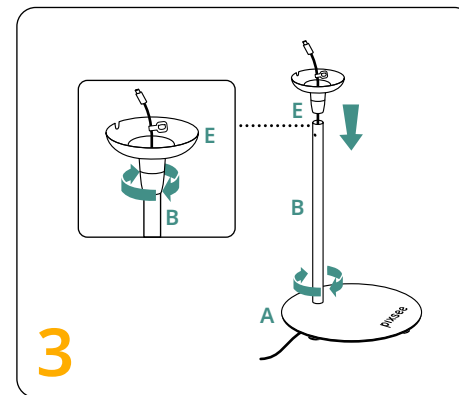
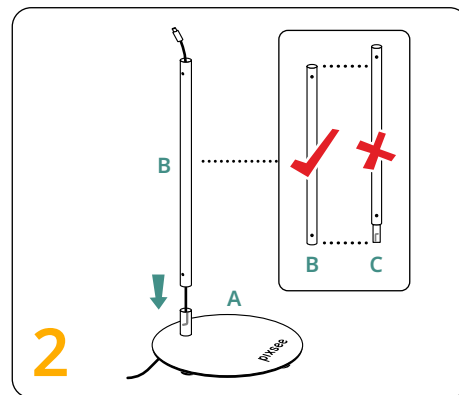
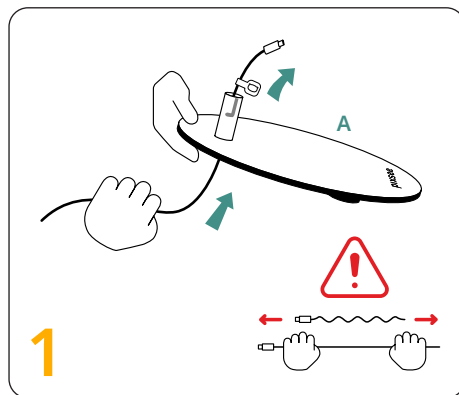
適合在床上、客廳、餐廳的互動時光。



立地式安裝步驟

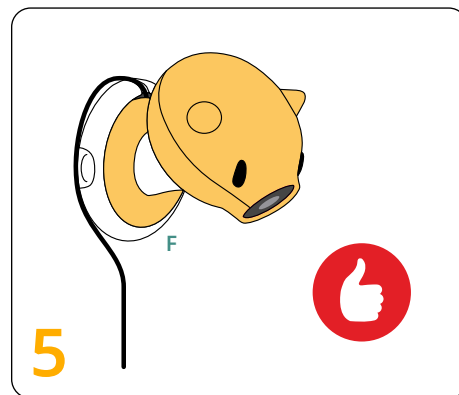
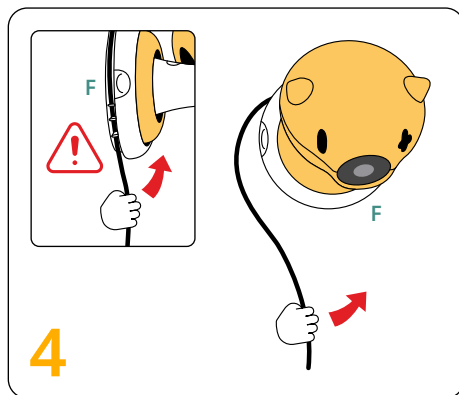
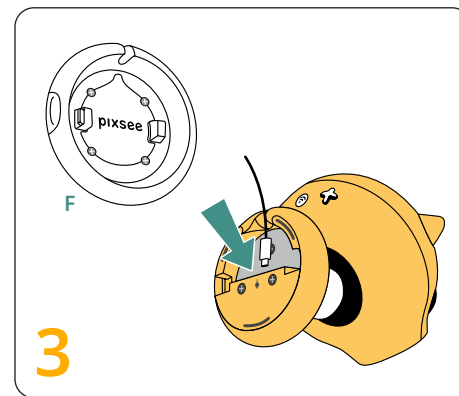
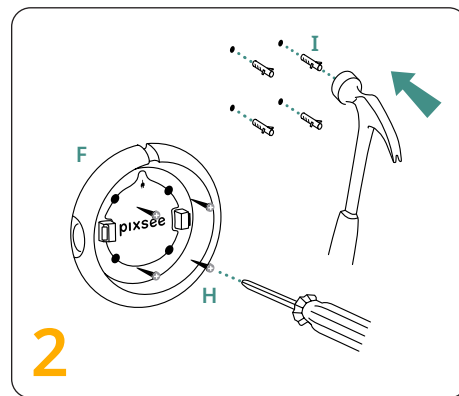
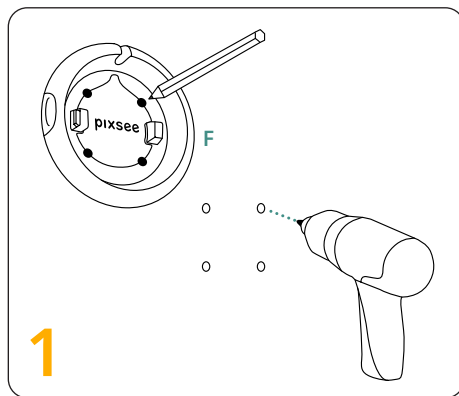
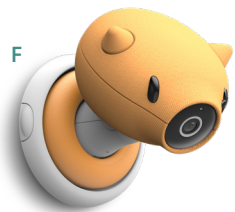
低平視

適合玩玩具、說故事、寶寶爬行、地板遊戲時光。



壁掛式安裝步驟

壁掛
適合嬰兒床。



注意事項、清潔、保固及其他聲明



注意事項

- 兒童、老年人及身障人士應在監護和指導下使用本產品，勿讓兒童擅自將本產品當作玩具。
- 請勿在傾斜或不穩定的檯面上使用本產品，並遠離熱源，以免損壞塑膠部件，亦不可靠近或置於任何電器上。
- 本產品需插上電源線才可使用，若拔掉電源線，則無法開機。
- 本產品須單獨使用額定電源100V~240V，額定電流5V === 3A的插座，切勿以萬用插座與其他電器同時使用。如果使用錯誤功率的電源變壓器，有可能造成內部零件的損壞。
- 請勿使用未經國家安全認證之延長線轉接，以免存在起火風險，同時也可能影響Wi-Fi傳輸及本產品效能。
- 請勿使用損壞的配件以及其他周邊配備。
- 請勿以尖銳或金屬物體接觸插頭觸點。
- 請在實際使用產品前測試本產品及其所有功能，以幫助實際使用期間更熟悉順利。
- 請勿將毛巾或毯子覆蓋住本產品及電源線。
- 當產品正在運作時，會將系統正常之發熱散逸到表面，請勿將本產品長時間放置在膝上或是身體任一部位，以避免因高溫而可能造成的身體不適。
- 請避免將本產品放置在磁性物質附近（例如喇叭及電視等）。
- 請勿在洩漏可燃氣體、雨中或潮濕環境下使用或暴露本產品。
- 請勿在雷電天氣下使用無線路由器連線上網，以避免遭受閃電的遠距電擊。
- 請勿將本產品存放於靠近火源處或是丟入燃燒的火堆中，以免造成爆炸意外。

- 為維護飛航安全請勿在航空工具上使用，本產品網路訊號可能對導航系統造成干擾。
- 如果本產品或電源線損壞，為避免危險，請勿自行嘗試拆卸，請聯繫本公司售後服務處理: support@Pixsee-care.com

友善建議

為降低嬰兒猝死症候群之發生風險，國民健康署整理了「寶寶安全睡眠環境5守則」，讓主要照顧者對寶寶的睡眠環境進行檢視，希望每個寶寶都擁有安全、溫暖及香甜的睡眠。

- 寶寶與他人同床而睡，是嬰兒猝死症的危險因素之一，就算是與父母或多胞胎兄弟姊妹，都建議要「同室不同床」。
- 使用毛巾被或毛毯保暖時，應裹至寶寶胸部，並將手臂露出，以減少蓋住臉部的機會，或穿著一件式或睡袋型嬰兒睡衣。
- 嬰兒床表面必須堅實平整，不可有鬆軟物件，如枕頭、填充玩具等；且勿讓嬰兒睡在沙發、椅子、墊子或趴睡在父母或照顧者身上。
- 避免環境過熱，勿穿著太多衣物與過度包裹嬰兒。無空調設備時，宜注意通風。
- 建立無菸環境，勿讓任何人在嬰兒附近吸菸。

資料來源：台灣衛福部國民健康署

NCC警語

依據「低功率電波輻射性電機管理辦法」第十二條：經型式認證合格之低功率射頻電機，非經許可，公司、商號或使用者均不得擅自變更頻率、加大功率或變更原設計之特性及功能。

「低功率電波輻射性電機管理辦法」第十四條：低功率射頻電機之使用不得影響飛航安全及干擾合法通信；經發現有干擾現象時，應立即停用，並改善至無干擾時方得繼續使用。前項合法通信，指依電信法規定作業之無線電通信。低功率射頻電機須忍受合法通信或工業、科學及醫療用電波輻射性電機設備之干擾。

產品中有害物質名稱及含量

單元	設備名稱: Pixsee Play AI 智慧實實攝影機-玩心系列 型號: SC-PIXM20					
	鉛 (Pb)	汞 (Hg)	鎘 (Cd)	六價鉻 (Cr(VI))	多溴聯苯 (PBB)	多溴二苯醚 (PBDE)
電路板	—	○	○	○	○	○
外殼	○	○	○	○	○	○
攝影機	—	○	○	○	○	○
喇叭	○	○	○	○	○	○
變壓器	—	○	○	○	○	○

備考1. "超出 0.1 wt%" 係指限用物質之百分比含量超出百分比含量基準值。備考2. "○" 係指該項限用物質之百分比含量未超出百分比含量基準值。備考3. "—" 係指該項限用物質為排除項目。

設備廢棄及回收處置

- 請遵守您所在地區法規適當地處理本產品和回收事項，並請您聯絡當地政府機關以便瞭解您所在地區相關的法規、回收事項及回收集點等相關資訊。
- 請您依照所在地區法規規定，將本產品帶到收集點回收電氣和電子設備。請勿將本產品與普通家庭垃圾一起處置。透過回收廢棄設備，您可以為環境保護做出重要貢獻。

清潔保養(本體設備)

- 請使用潔淨的乾布進行清潔擦拭。
- 請勿在本產品旁使用強力溶劑如稀釋劑、含苯溶劑或其他化學溶劑。
- 本產品僅具備生活性防潑功能，請勿使產品潑水、淋水或接觸海水、鹽水、加氯的水或飲料等液體。不當使用將導致本產品保固失效。

- 在清潔本產品之前，請務必先關閉電源並斷開電源適配器的連接。

清潔保養(Pixsee夥伴系列動物布偶)

- 建議手洗，洗淨後請輕微擰乾放置陰涼處自然乾燥即可；請勿刷洗、烘乾、熨燙、漂白、乾洗與避免長時間太陽曝曬。

清潔保養(支架)

- 請使用潔淨的乾布或用抹布沾溫和清潔劑進行清潔擦拭。

保固與售後服務

當您開始使用本產品時，即視為您已閱讀、理解、接受和同意本產品使用說明書、重要警語與安全提示說明、注意事項和免責聲明等全部條款和內容。您承諾僅出於正當目的使用本產品，並且同意遵守本條款及任何本公司制定的相關政策或著準則。

關於保固維護的詳細說明請您造訪本產品官網之客服網頁: Pixseecare.com/tw/support，取得完整使用手冊及最新資訊。

免責聲明

本說明書是以「現況」及「以目前明示的條件下」的狀態提供給您。在法律允許的範圍內，本公司就本說明書不提供任何明示或默示的擔保及保證，您應自行承擔使用本說明書的全部風險。您知悉本公司有權隨時修改本說明書。本產品規格或驅動程式一經改變，本說明書將會隨之更新。本說明書更新的詳細說明請您造訪本產品官網，取得

完整使用手冊及最新資訊。軟體部分免責聲明請參閱App內使用條款與隱私政策說明頁面。



pixsee

create beautiful moments

Explore the world of Pixsee
pixseecare.com